

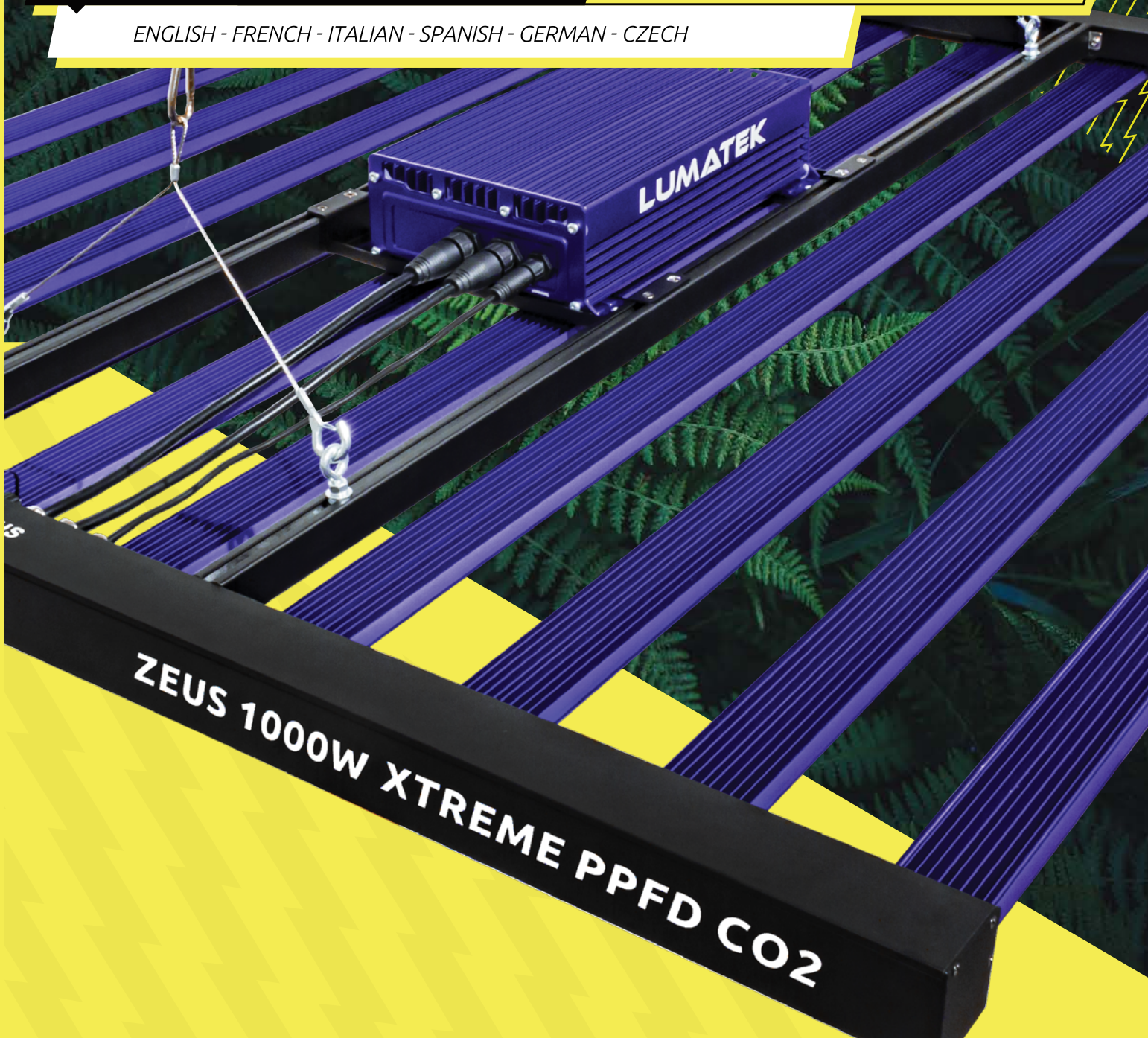
LUMATEK

PROFESSIONAL LIGHTING

 MANUAL

ZEUS 1000W XTREME PPFD CO2

ENGLISH - FRENCH - ITALIAN - SPANISH - GERMAN - CZECH



up to **2.9**
 $\mu\text{mol}/\text{J}$

EFFICACY

2925
 $\mu\text{mol}/\text{s}$

PPF



UK
CA



5 YEAR
WARRANTY

LUMATEK ZEUS 1000W XTREME CO2 PPF LED MANUAL

ENGLISH

TABLE OF CONTENTS

1. **Introduction**
2. **Product Description**
3. **Product information and specifications**
 - 3.1 General product information
 - 3.2 Technical Specifications
 - 3.3 Fixture Dimensions
 - 3.4 Spectrum Graph
 - 3.5 Light distribution curve
 - 3.6 Environment
 - 3.7 Legal
4. **Safety recommendations and warnings**
5. **Contents**
6. **Installation**
 - 6.1 Assemble the frame
 - 6.2 Connect the driver
 - 6.3 Connect the LED light bars
 - 6.4 Replacing and changing light bars
 - 6.5 Installing the fixture
 - 6.6 Connecting the manual dimmer control
 - 6.7 Connecting fixtures in series for external control
 - 6.8 Connecting the LED fixture to the mains
7. **Precautions when using the LED fixture**
8. **Inspection, maintenance and repair**
9. **Storage and disposal**
10. **Warranty**

1. INTRODUCTION

Thank you for purchasing the Lumatek 1000W Xtreme PPFD CO² linear multi-light bar LED fixture. This manual describes how to install and use the Zeus Xtreme fixture; please read this manual thoroughly before attempting to install or operate any Lumatek Zeus Series system. If you are not comfortable with the installation of high performance lighting systems, you should seek the services of a qualified installation professional.

2. PRODUCT DESCRIPTION

The Lumatek Zeus 1000W Xtreme PPFD CO² LED is an electronic horticultural LED fixture using a linear array design with ten 100W light bars. The Zeus Xtreme is a very high performance full-cycle top lighting solution for commercial horticulture cultivation, with the power and flexibility to scale from vegetative growth to higher light intensities in bloom.

Designed for use in a CO² enriched environment, the Zeus Xtreme LED can be positioned closer to the plant canopy for very high PPFD levels which require supplemental carbon dioxide (CO²) for crops to fully utilise for photosynthesis.

The Zeus Xtreme LED can be used without supplemental CO² but should be positioned at a greater hanging height from plant canopy, increasing the light footprint but reducing the PPFD level.

In this manual the Lumatek Zeus 1000W Xtreme PPFD CO² LED will be referred to as: "the LED fixture".

3. PRODUCT INFORMATION AND SPECIFICATIONS

3.1 General Product Information

| | |
|--------------|--|
| PRODUCT NAME | Lumatek Zeus 1000W XTREME PPFD CO ² LED |
| PRODUCT CODE | LUMLED003 |
| PRODUCER | Lumatek EU |
| EAN | 5060560031185 |
| PLUG TYPE | UK/EU |

3.2 Technical Specifications

| | |
|---|--|
| PPF | 2925 µmol/s |
| EFFICACY | Up to 2.9 µmol/J |
| SPECTRUM | Full spectrum F |
| LIGHT SOURCE | Higher spec LUMILEDS (W) & Osram (R) LED |
| DIMENSIONS (LxWxH) | 1182 x 1091 x 106mm |
| WEIGHT | 18Kg |
| LIFE SPAN | >60000H |
| WORKING TEMPERATURE | -20°C -- +40°C |
| WORKING HUMIDITY | 20% - 90% |
| WATERPROOF | IP65 |
| BEAM ANGLE | 120° |
| MANUAL DIM/EXTERNAL LIGHTING CONTROLLER | 0-10V Signal protocol |

INPUT VOLTAGE (V)

VMAINS=230V 50/60HZAC

| DIMMING | INPUT POWER (W) | INPUT CURRENT (A) |
|---------|-----------------|-------------------|
| 100% | 1075 | 4,85 |
| 75% | 808 | 3,66 |
| 50% | 520 | 2,42 |
| 25% | 260 | 1,33 |

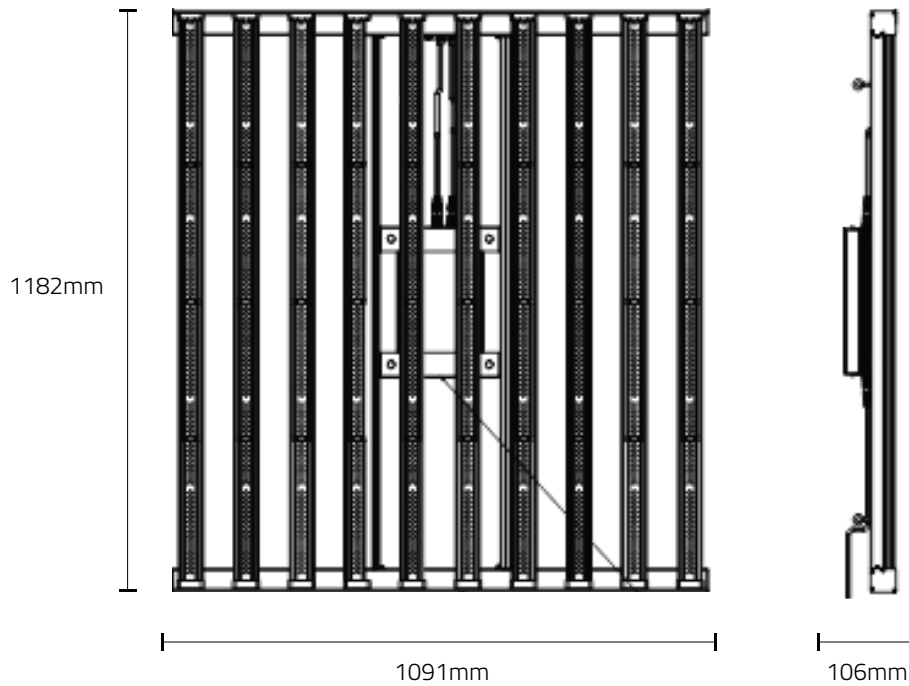
VMAINS=240V 50/60HZAC

| DIMMING | INPUT POWER (W) | INPUT CURRENT (A) |
|---------|-----------------|-------------------|
| 100% | 1075 | 4,67 |
| 75% | 806 | 3,53 |
| 50% | 519 | 2,35 |
| 25% | 260 | 1,29 |

VMAINS=277V 50/60HZAC

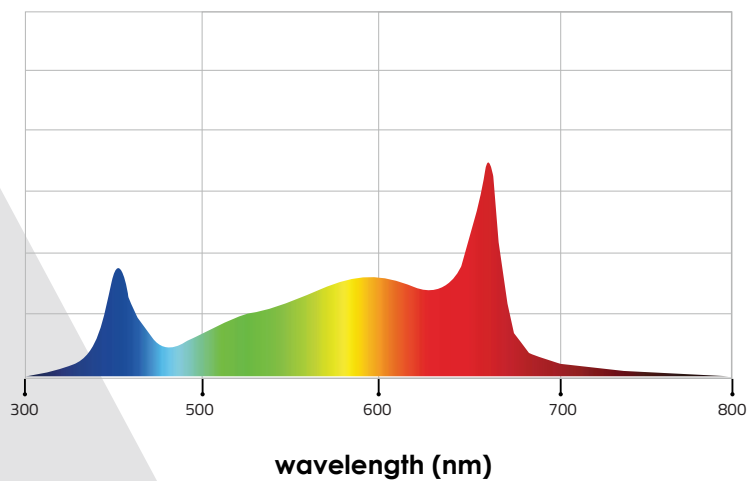
| DIMMING | INPUT POWER (W) | INPUT CURRENT (A) |
|---------|-----------------|-------------------|
| 100% | 1075 | 4,13 |
| 75% | 806 | 3,14 |
| 50% | 520 | 2,11 |
| 25% | 263 | 1,2 |

3.3 Fixture Dimensions

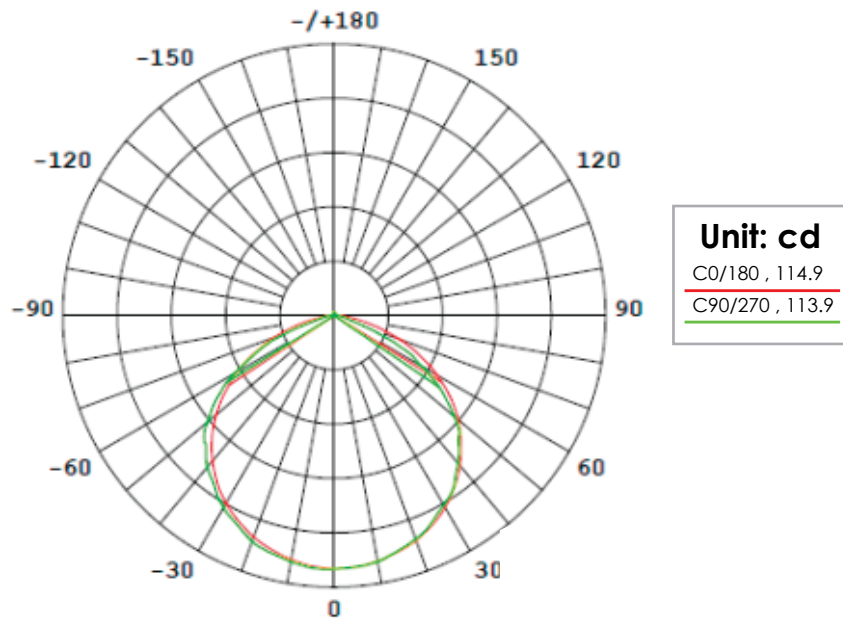


3.4 Spectrum Graph

Full Spectrum



3.5 Light distribution curve



3.6 Environment

The LED fixture is intended to be used in climate-controlled grow rooms and indoor farms. The product may be used in damp environments but may not be used in wet environments or outdoors. The product will operate in ambient temperatures from -20°C to 40°C but will function at optimal level between 20°C to 30°C. The product will operate in 20% – 90% humidity, non-condensing.

3.7 Legal

This product is CE & UKCA certified compliant with LVD and EMC directive test standards.

4. SAFETY RECOMMENDATIONS AND WARNINGS

Warning! Carefully read the warnings below before using or working with the product!

- Always adhere to the local rules and regulations when installing or using the LED fixture.
- Do not open or disassemble the LED fixture as it contains no serviceable parts inside. Opening or modifying the LED fixture can be dangerous and will void the warranty.
- Do not use the LED fixture when either the LED fixture or its power cable are damaged. Replace the power cable with correctly rated cable only.
- Modifications to the cables can lead to unwanted electromagnetic effects which may make the product not comply with legal requirements.
- Do not expose the LED fixture to:
 - Condensing humidity, heavy mist or direct spray;
 - Ambient temperatures outside the specified range;
 - Dust and contamination;
 - Direct sunlight during use or HID light that may heat up the driver.

- Always disconnect the LED fixture from mains before performing any maintenance.
- Always allow for a cool down period of at least 20-30 minutes before touching the LED light bars. Touching the LED bars when the fixture is lit or immediately after may result in burns!
- Natural convection removes heat away from the heatsink. In order for the system too properly cool itself, at least 5cm of space is required between the fixture and the roof of your grow area. Do not use abrasive materials or aggressive cleaning agents to clean the LED fixture as this may damage the secondary optics. Instead use a clean dry fabric/cloth.
- Do not use the LED fixture near flammable, explosive or reactive substances. The LED fixture can reach temperatures of 40°C.
- Do not use sulphur vaporizers or water misters.
- The installation and use of the LED fixture is the responsibility of the end user. Incorrect use or installation can lead to failure and damage to the LED fixture. Damage to the LED fixture and electronic circuitry as a result of incorrect installation and use revokes the warranty.

5. CONTENTS

1x MANUAL
2x METAL CABLE HANGERS
1x DIMMING
CONTROLLER 0-10V
 Connects to dimming control cable on driver.

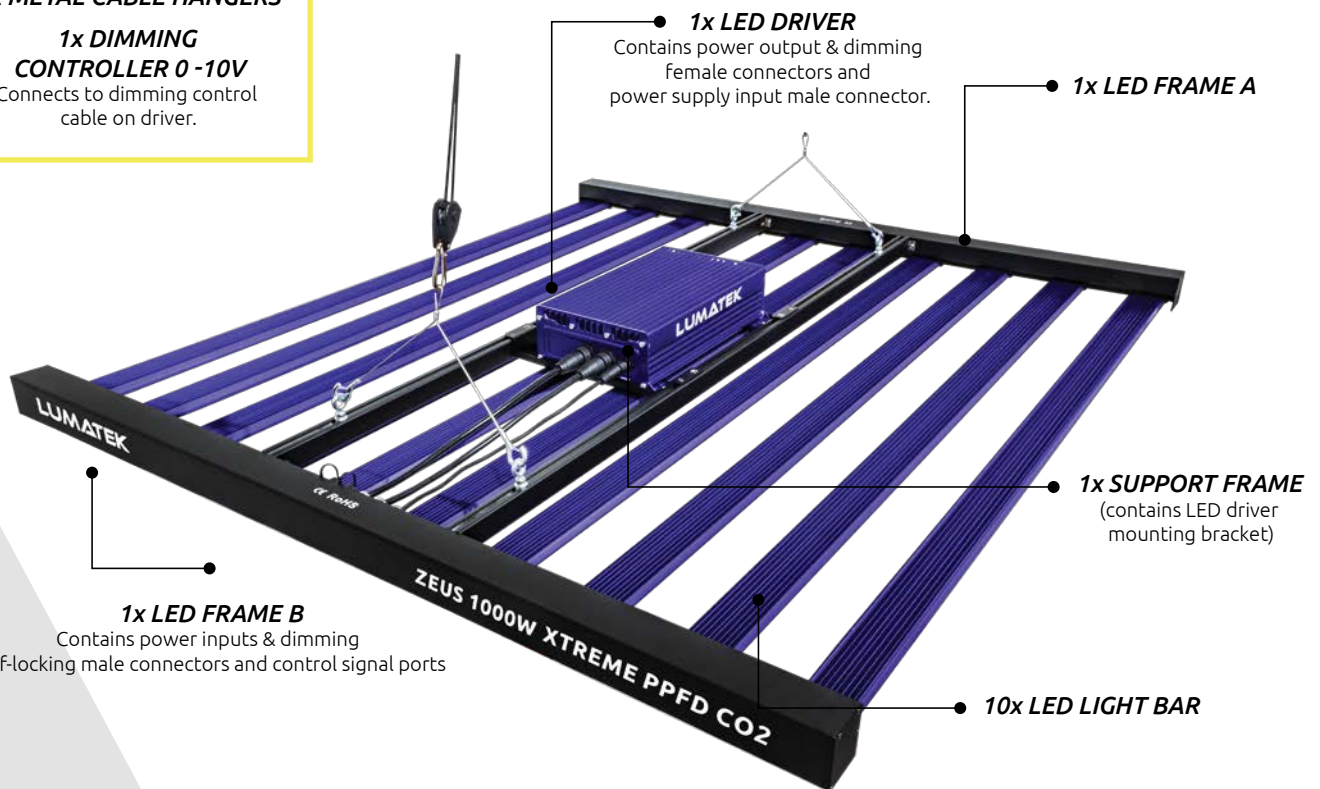
1x LED DRIVER
 Contains power output & dimming female connectors and power supply input male connector.

1x LED FRAME A

1x LED FRAME B
 Contains power inputs & dimming self-locking male connectors and control signal ports

1x SUPPORT FRAME
 (contains LED driver mounting bracket)

10x LED LIGHT BAR



6. INSTALLATION

Warning! Mounting and installing the LED fixture must be in accordance with the applicable local laws and regulations.

Warning! The installer is responsible for correct and safe installation.

Warning! Ensure the local cabling can support the voltage and current requirements of the LED fixture.

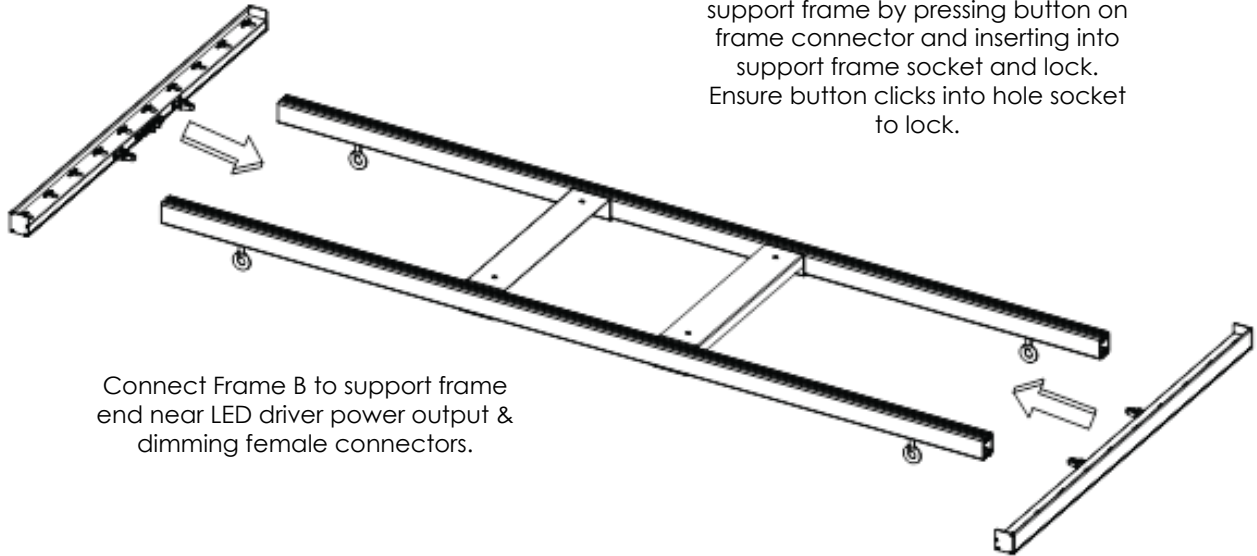
Warning! Avoid coiled cables and keep mains leads separated to help prevent electromagnetic interference.

Warning! Do not connect or disconnect the LED fixture under load.

6.1 Fixture assembly & installation

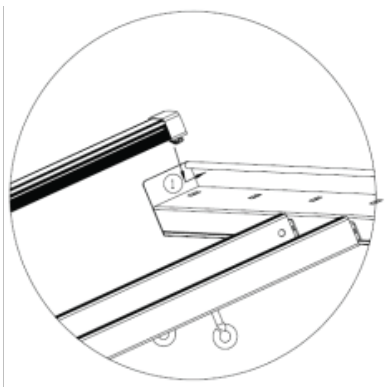
Please take care when assembling fixture and ensure all connections are true and secure

6.1.1 Assemble the frame

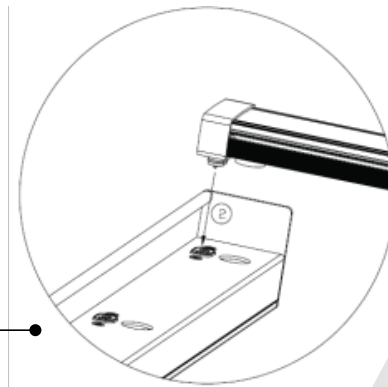


Note the direction when installing; the LED driver mounting bracket is on top when the fixture is hung.

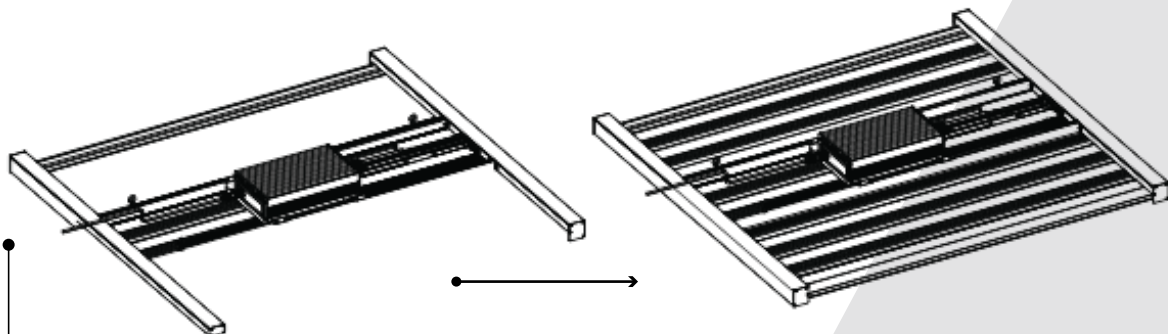
6.2 Connect the LED light bars



Ensure the driver is secured and flip the fixture over so the driver is now underneath. Insert the end of the light bar with the hook into the square hole in Frame A



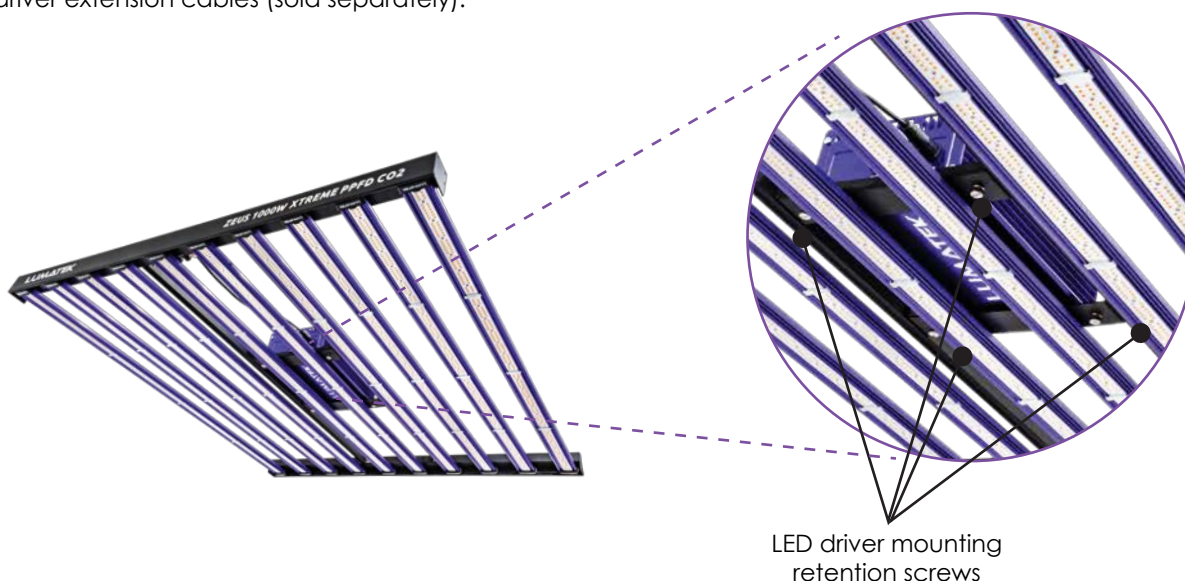
Then insert the other end; align the round hole on Frame B with the light bar's magnetic end and insert male pin into female socket. Ensure magnetic connection is secure.



Assemble the rest of the light bars into the fixture frame as shown in the figure above.

6.3 Connect & disconnect the driver

The LED driver is fixed to the mounting bracket with four retention screws through bracket into driver base plate. For greater flexibility the driver can be disconnected from the fixture and used remotely using Lumatek 5m LED driver extension cables (sold separately).



To connect driver output and dimming to fixture; ensure the power and dimming self-locking male connectors are correctly aligned with corresponding female connectors on driver and push together until click-locked. To disconnect; turn male connector anti-clockwise to unlock and pull apart from female.

6.4 Changing and replacing light bars and modular use

Individual 100W light bars are available to purchase as replacements or with different spectral ratios to adjust fixture spectral output.

The LED fixture's modular design uses an intelligent LED driver which can decrease or increase power to match the amount of 100W light bars installed on the fixture automatically. If not all light bars are required, the driver will only draw power required for the amount of light bars connected eg if six light bars are connected the driver will only draw 600W to power them.

Warning! At least one light bar must be installed in the fixture before switching on.

6.5 Installing the fixture

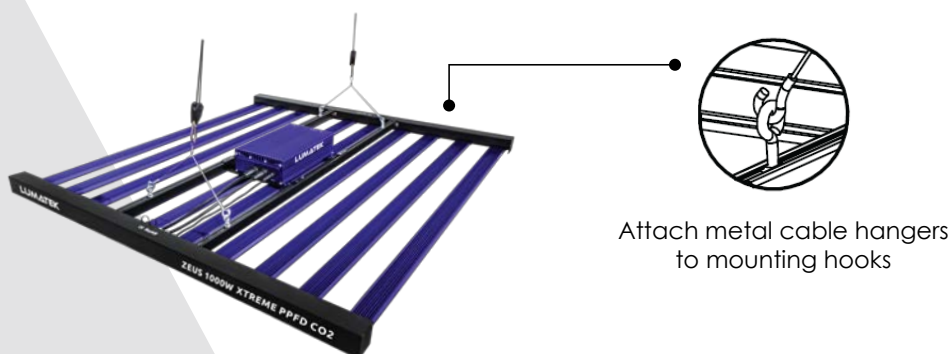
Warning! Mount the system to something that can hold the weight of the LED fixture.

Ensure all light bars are installed correctly and are secure. Carefully turn the fixture over and attach the metal cable hangers to the mounting hooks. Hang the fixture in required position and height. Position fixture 50cm – 1m above plant canopy. Ensure the fixture is hung horizontally.

For shorter hanging heights (50cm) from plant canopy and a 1.5m² footprint; supplemental carbon dioxide (CO₂) is recommended so that the plants can photosynthesize the very high level PPFD produced at this height. For PPFD over 1000µmol/s/m² up to max 1500µmol/s/m² supplemental CO₂ at a 1:1 ratio is recommended. i.e. at 1500µmol/s/m² PPFD supplemental CO₂ at 1500ppm is advised.

Warning! Exposing crops to ultra high PPFD without supplemental CO₂ can be detrimental to plant growth.

The LED fixture can be used without supplemental CO₂ at greater hanging heights (1m+) as this will decrease PPFD and will increase light footprint to 1.8m².



6.6 Connecting the manual dimmer or external lighting controller

The dimmer control or lighting controller is connected to the Signal IN connector on the fixture. This enables light intensity (PPF output) to be adjusted according to requirement. The LED fixture light intensity can be adjusted without changing spectral power distribution or losing efficiency.



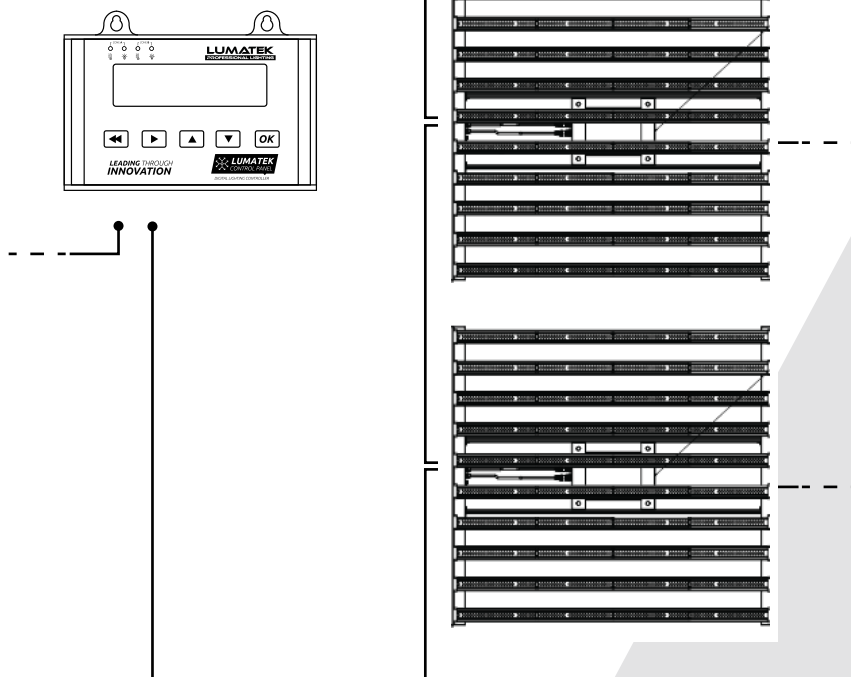
Connect manual dimmer cable or lighting controller cable to SIGNAL IN port.

6.7 Connecting fixtures in series for external control

For detailed instructions please refer to the Lumatek Control Panel manual.

Position and hang each fixture appropriately. Zeus series fixtures use 0-10V signal protocol for control.

Connect controller output signal wire to fixture 1 SIGNAL IN connector. Connect signal wire from fixture 1 SIGNAL OUT connector to fixture 2 SIGNAL IN connector. Continue to connect fixtures in series for up to 100 fixtures per controller see Fig.



6.8 Connecting the LED fixture to the mains

Warning! Make sure mains power is switched off.

Warning! Ensure the power supply cable is not coiled and does not touch any hot surfaces.

Warning! Connect the cables according to local rules, safety regulations and electrical code.

Warning! If not using an external lighting controller ensure external switching gear can cope with the inrush current of the LED fixture. Always use a timer contactor suitable for switching a capacitive load. Never use household timers to switch the LED fixture!

Ensure the LED driver power supply cable self-locking female connector is correctly aligned to the corresponding male connector on driver and push together until click-locked.

To disconnect; turn female connector anti-clockwise to unlock and pull apart from driver.

Connect mains power plug to switching gear/power supply.

Switch on mains power.

7. PRECAUTIONS WHEN USING THE LED FIXTURE

Warning! Always ensure at least one light bar is connected to the fixture before switching on.

The Zeus has an intelligent LED driver which will increase or decrease power to match the amount of light bars connected to the system.

Warning! Always wait 20 – 30 minutes for the LED light bars to cool down.

8. INSPECTION, MAINTENANCE AND REPAIR

Warning! Disconnect the LED fixture from mains before performing any maintenance or repairs.

Warning! Do not connect or disconnect the LED fixture under load.

Warning! Do not open or disassemble the LED fixture, it contains no serviceable parts inside. Opening the LED fixture can be dangerous and will void the warranty.

Warning! Always wait 20 – 30 minutes for the LED light bars to cool down.

Caution! Do not clean the LED fixture with detergents, abrasives or other aggressive substances.

Regularly check the LED fixture for dust or dirt build up. Clean if necessary. Contamination may cause overheating and decreased performance.

Clean the outside of the LED fixture using a dry or damp cloth.

Regularly check the cables of the LED fixture to ensure it is undamaged.

9. STORAGE AND DISPOSAL

Store the LED fixture in a dry and clean environment, with an ambient temperature of -25°C to 55°C.

The product must not be discarded as unsorted municipal waste but must be collected separately for the purpose of treatment, recovery and environmentally sound disposal.

10. WARRANTY

Lumatek Ltd warrants the mechanical and electronic components of their product to be free of defects in material and workmanship if used under normal operating conditions for a period of five (5) years from the original date of purchase. If the product shows any defects within this period and that defect is not due to user error or improper use Lumatek Ltd shall, at its discretion, either replace or repair the product using suitable new or reconditioned products or parts. In case Lumatek Ltd decides to replace the entire product, this limited warranty shall apply to the replacement product for the remaining initial warranty period, i.e. five (5) years from the date of purchase of the original product. For service; return the product to your shop with the original sales receipt.

LUMATEK
PROFESSIONAL LIGHTING



For more information
on Lumatek products
visit www.lumatek-lighting.com

LUMATEK ZEUS 1000W XTREME PPFD CO2 LED MANUAL

ESPAÑOL

TABLA DE CONTENIDO

1. **Introducción**
2. **Descripción del producto**
3. **Información del producto y especificaciones**
 - 3.1 Información general del producto
 - 3.2 Technical Specifications
 - 3.3 Dimensiones del accesorio
 - 3.4 Especificaciones técnicas
 - 3.5 Curva de distribución de luz
 - 3.6 Medio Ambiente
 - 3.7 Legal
4. **Recomendaciones de seguridad y advertencias**
5. **Contenido**
6. **Instalación**
 - 6.1 Ensamblar el marco
 - 6.2 Conectar el controlador
 - 6.3 Instalar el accesorio
 - 6.4 Conecte las barras de luz LED
 - 6.5 Sustitución y cambio de barras de luz
 - 6.6 Conexión del control de atenuación manual
 - 6.7 Dispositivos de conexión en serie para control externo
 - 6.8 Conexión de la luminaria LED a la red eléctrica
7. **Precauciones al usar el dispositivo LED**
8. **Inspección, mantenimiento y reparación**
9. **Almacenamiento y eliminación**
10. **Garantía**

1. INTRODUCCIÓN

Muchas gracias por comprar el Lumatek 1000W Xtreme PPFd CO₂ lineal de barra de luz LED. Este manual describe cómo instalar y utilizar la luminaria Zeus Xtreme; por favor lea este manual detenidamente antes de intentar instalar u operar cualquier sistema de la serie Lumatek Zeus. Si usted no se siente cómodo con la instalación de sistemas de iluminación de alto rendimiento, por favor busque los servicios de un profesional de instalación calificado.

2. DESCRIPCIÓN DEL PRODUCTO

El Lumatek Zeus 1000W Xtreme PPFd LED es una luminaria electrónica de horticultura que utiliza un diseño de matriz lineal con diez barras de luz de 100W. Zeus Xtreme es una solución de iluminación superior de ciclo completo de muy alto rendimiento para el cultivo de horticultura comercial, con el poder y la flexibilidad de escalar desde el crecimiento vegetativo hasta intensidades de luz más altas en floración.

Diseñado para su uso en un entorno CO₂ enriquecido, el LED Zeus Xtreme se puede colocar más cerca del dosel de la planta para obtener niveles muy altos de PPFd que requieren dióxido de carbono suplementario (CO₂) para que los cultivos se utilicen completamente para la fotosíntesis.

El LED Zeus Xtreme se puede utilizar sin suplemento, CO₂ pero debe colocarse a una mayor altura de suspensión del dosel de la planta, aumentando la huella de luz pero, reduciendo el nivel de PPFd.

En este manual, el Lumatek Zeus 1000W Xtreme PPFd CO₂ LED se le conocerá como: «la luminaria LED».

3. INFORMACIÓN Y ESPECIFICACIONES DEL PRODUCTO

3.1 Información general del producto

| | |
|---------------------|--|
| NOMBRE DEL PRODUCTO | Lumatek Zeus 1000W XTREME PPFd CO ₂ LED |
| NÚMERO DE PARTE | LUMLED003 |
| FABRICANTE | Lumatek EU |
| EAN | 5060560031185 |
| TIPO DE ENCHUFE | UK/EU |

3.2 Especificaciones técnicas

| | |
|---|--|
| PPF | 2925 µmol/s |
| EFICACIA | Hasta 2.9 µmol/J |
| SPECTRO | Espectro completo F |
| FUENTE DE LUZ | Especificaciones superiores LUMILEDS (W) & Osram (R) LED |
| DIMENSIONES (LxWxH) | 1182 x 1091 x 106mm |
| PESO | 18Kg |
| ESPERANZA DE VIDA | >60000H |
| TEMPERATURA DE FUNCIONAMIENTO | -20°C -- +40°C |
| HUMEDAD DE TRABAJO | 20% - 90% |
| IMPERMEABLE / A PRUEBA DE POLVO | IP65 |
| ÁNGULO DE HAZ | 120° |
| ATENUADOR MANUAL / CONTROLADOR DE ILUMINACIÓN EXTERNA | Protocolo de señal 0-10V |

VOLTAJE DE ENTRADA (V)

VMAINS=230V 50/60HZAC

| RELACIÓN DE ATENUACIÓN | POTENCIA DE ENTRADA (W) | CORRIENTE DE ENTRADA (A) |
|------------------------|-------------------------|--------------------------|
| 100% | 1075 | 4,85 |
| 75% | 808 | 3,66 |
| 50% | 520 | 2,42 |
| 25% | 260 | 1,33 |

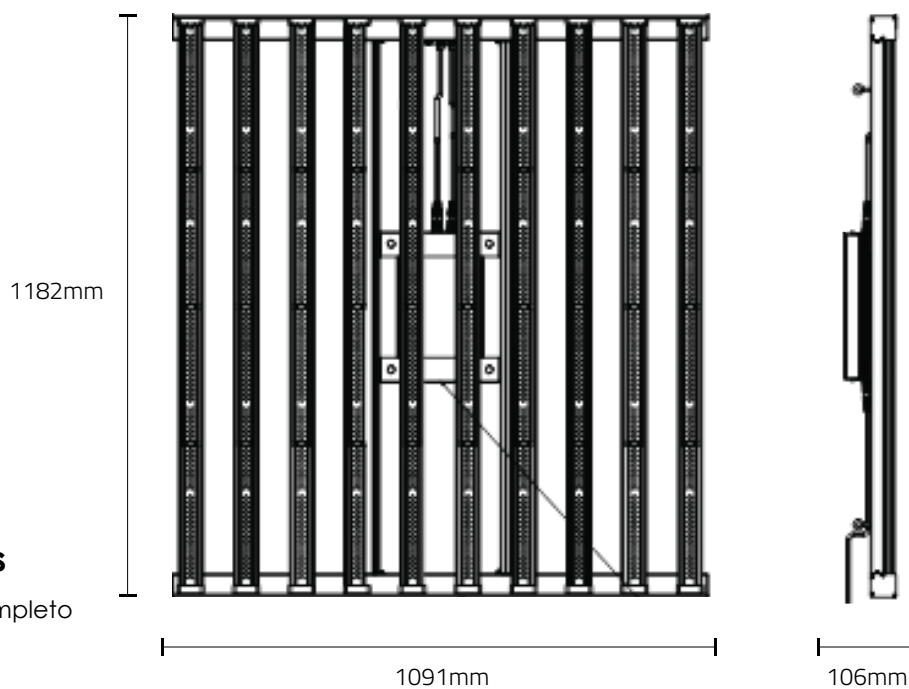
VMAINS=240V 50/60HZAC

| RELACIÓN DE ATENUACIÓN | POTENCIA DE ENTRADA (W) | CORRIENTE DE ENTRADA (A) |
|------------------------|-------------------------|--------------------------|
| 100% | 1075 | 4,67 |
| 75% | 806 | 3,53 |
| 50% | 519 | 2,35 |
| 25% | 260 | 1,29 |

VMAINS=277V 50/60HZAC

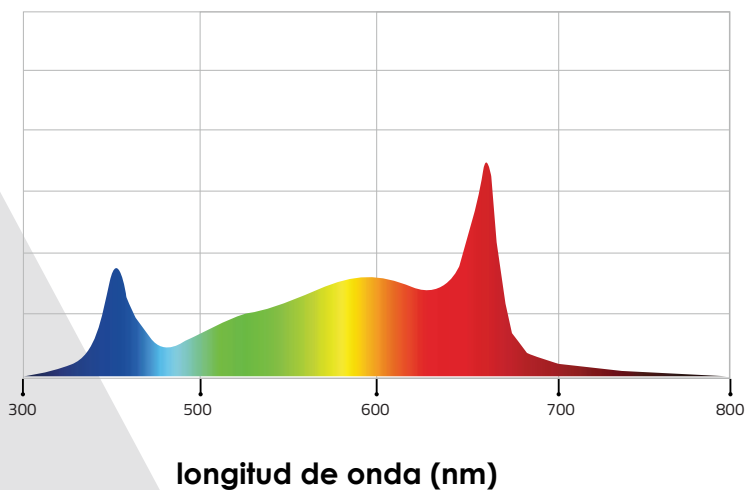
| RELACIÓN DE ATENUACIÓN | POTENCIA DE ENTRADA (W) | CORRIENTE DE ENTRADA (A) |
|------------------------|-------------------------|--------------------------|
| 100% | 1075 | 4,13 |
| 75% | 806 | 3,14 |
| 50% | 520 | 2,11 |
| 25% | 263 | 1,2 |

3.3 Dimensiones del accesorio

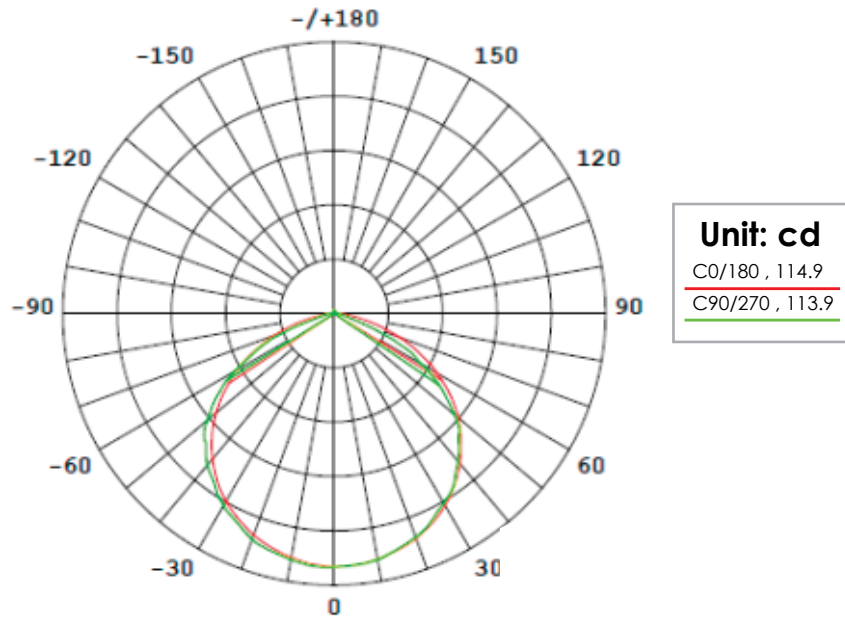


3.4 Espectros

Espectro Completo



3.5 Curva de distribución de luz



3.6 Medio ambiente

La luminaria LED está diseñado para ser utilizado en salas de cultivo con clima controlado, granjas interiores e invernaderos. El producto puede usarse en ambientes húmedos, pero no en ambientes mojados o al aire libre. El producto funcionará a temperaturas ambiente de -20°C a 40°C, pero funcionará a un nivel óptimo entre 20°C y 30°C.

El producto funcionará en 20% - 90% de humedad, sin condensación.

3.7 Legal

Este producto cuenta con la certificación CE & UKCA y cumple con los estándares de prueba de directivas LVD y EMC.

4. RECOMENDACIONES DE SEGURIDAD Y ADVERTENCIAS

¡Advertencia! ¡Por favor lea atentamente las siguientes advertencias antes de usar o trabajar con el producto!

- Siempre siga las reglas y regulaciones locales al instalar o usar la luminaria LED.
- No abra ni desmonte la luminaria LED, ya que no contiene piezas reparables en su interior. El abrir o modificar la luminaria LED puede ser peligroso y anulará la garantía.
- No utilice el la luminaria LED cuando la luminaria LED o su cable de alimentación estén dañados. Reemplace el cable de alimentación solo con un cable con clasificación correcta.
- Las modificaciones en los cables puede dar lugar a efectos electromagnéticos no deseados, lo que hace que el producto no cumpla con los requisitos legales.
- No exponga el dispositivo LED a:
Humedad condensada, neblina intensa, neblina o rociado directo;
Temperaturas ambiente fuera del rango especificado;
Polvo y contaminación;
Luz solar directa durante el uso o luz HID que podría calentar el balasto.

- Siempre desconecte el dispositivo de la red eléctrica antes de realizar cualquier mantenimiento.
- Siempre permita un período de enfriamiento de al menos 20-30 minutos antes de tocar las barras de luz LED. ¡El tocar las barras LED cuando el dispositivo está encendido o inmediatamente después puede provocar quemaduras!
- La convección natural elimina el calor del disipador térmico. Para que el sistema pueda enfriarse bien, se requiere al menos 5 cm de espacio entre la luminaria y el techo de su área de cultivo.
- Por favor no utilice materiales abrasivos o agentes de limpieza agresivos para limpiar la luminaria LED, ya que esto puede dañar la óptica secundaria. En su lugar, use una tela limpia y seca.
- No utilice el dispositivo cerca de sustancias inflamables, explosivas o reactivas. La luminaria LED puede alcanzar temperaturas de 40°C.
- No use vaporizadores de azufre o agua pulverizada.
- La instalación y el uso del dispositivo son responsabilidad del usuario final. El uso o una instalación incorrecta pueden provocar fallas y daños en la luminaria LED. El daño a la luminaria LED y a los circuitos electrónicos como resultado de una instalación y uso incorrecto revocará la garantía.

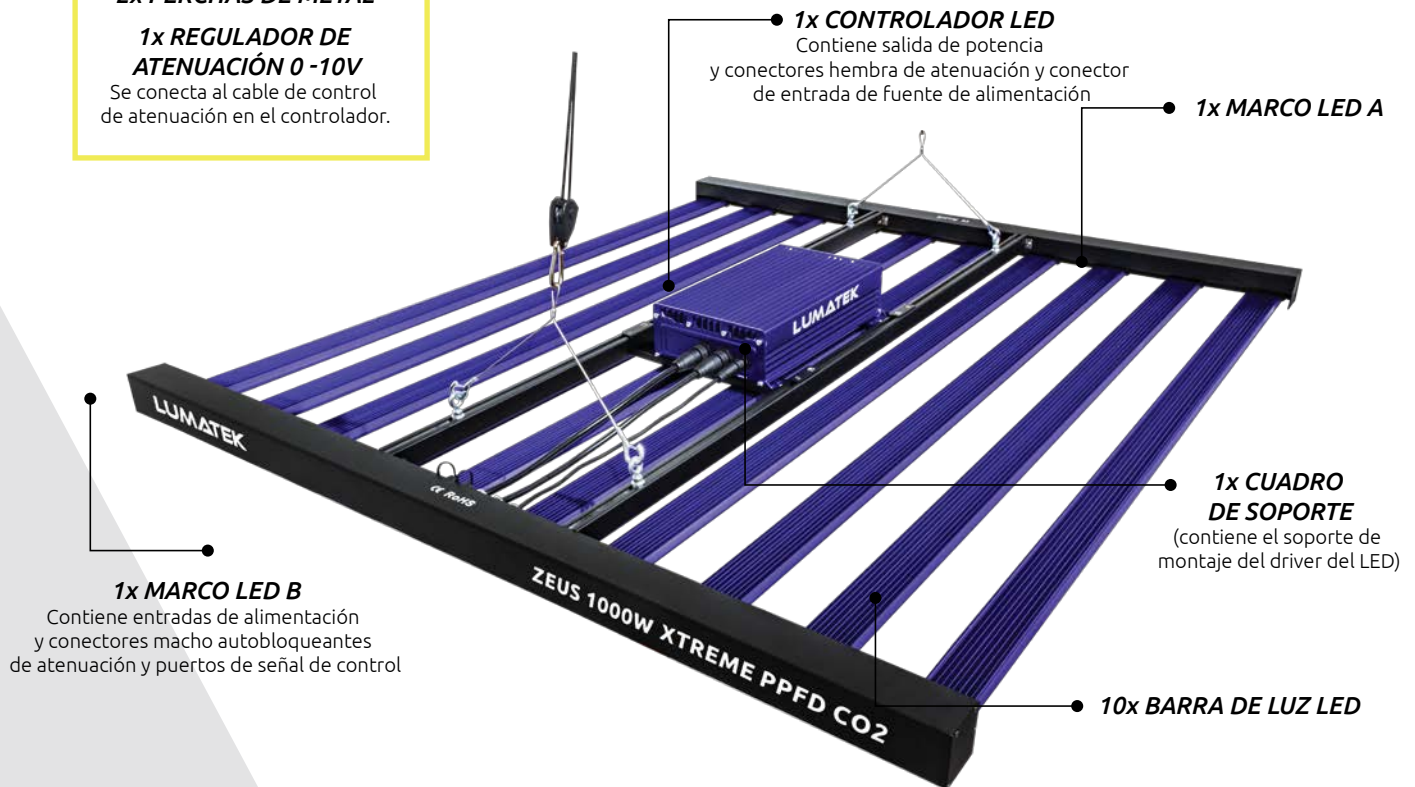
5. CONTENIDO

1x MANUAL

2x PERCHAS DE METAL

1x REGULADOR DE ATENUACIÓN 0 -10V

Se conecta al cable de control de atenuación en el controlador.



6. INSTALACIÓN

¡Advertencia! El montaje e instalación de la luminaria LED debe realizarse de acuerdo con las leyes y regulaciones locales aplicables.

¡Advertencia! El instalador tiene la responsabilidad de una instalación correcta y segura.

¡Advertencia! Por favor asegúrese que el cableado local pueda soportar los requisitos de voltaje y corriente del dispositivo.

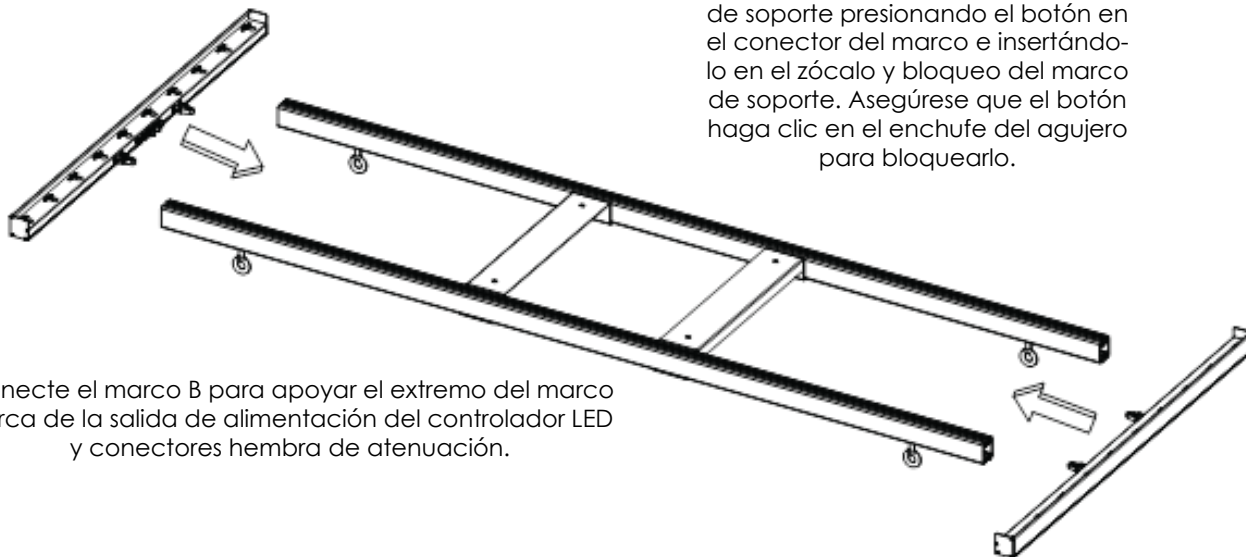
¡Advertencia! Evite los cables en espiral y mantenga los cables de alimentación separados para ayudar a evitar interferencias electromagnéticas.

¡Advertencia! No conecte ni desconecte el dispositivo LED bajo carga.

6.1 Montaje e instalación de accesorios

Tenga cuidado al ensamblar el accesorio y asegúrese de que todas las conexiones sean verdaderas y seguras

6.1.1 Montar el marco

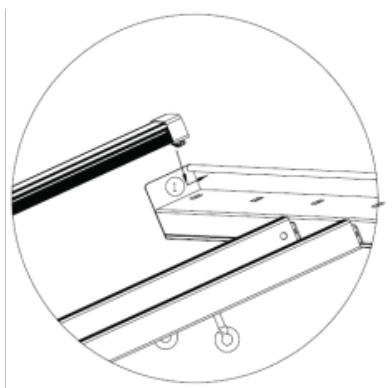


Conecte el Marco A y B al marco de soporte presionando el botón en el conector del marco e insertándolo en el zócalo y bloqueo del marco de soporte. Asegúrese que el botón haga clic en el enchufe del agujero para bloquearlo.

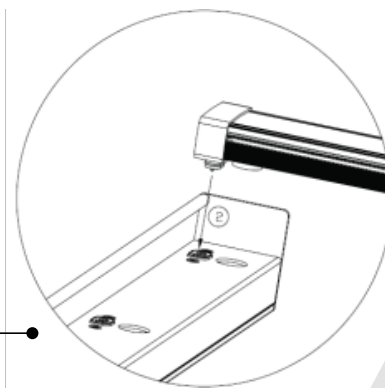
Conecte el marco B para apoyar el extremo del marco cerca de la salida de alimentación del controlador LED y conectores hembra de atenuación.

Tenga en cuenta la dirección al instalar; el soporte de montaje del controlador LED se encuentra en la parte superior cuando se cuelga la luminaria.

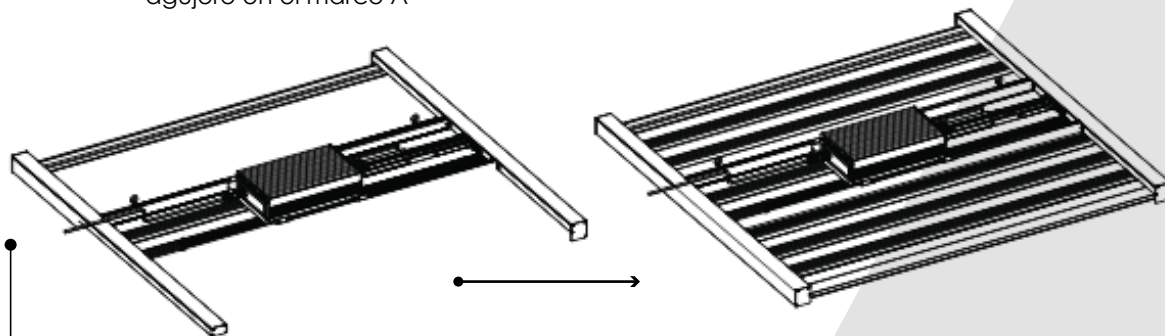
6.2 Conecte las barras de luz LED



Asegúrese de que el controlador esté asegurado y dé la vuelta al accesorio para que el controlador esté ahora debajo. Inserta el final de la barra de luz con el gancho en el cuadrado agujero en el marco A



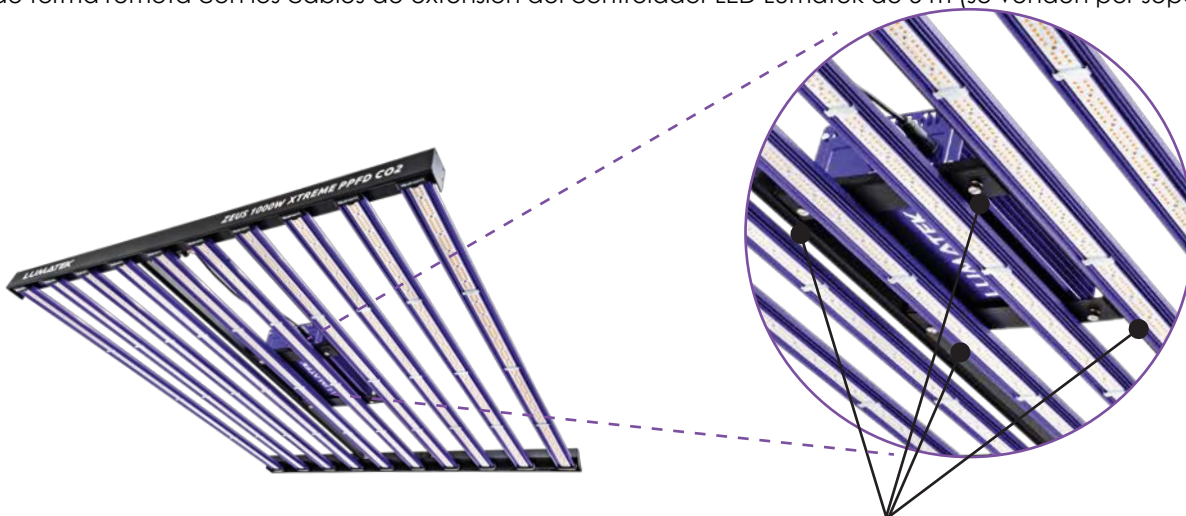
Luego inserte el otro extremo; alinear el agujero redondo en el Marco B con el extremo magnético de la barra de luz e inserte el pin macho en el enchufe hembra. Asegúrese de que la conexión magnética sea segura.



Ensamble el resto de las barras de luz en el marco del accesorio como se muestra en la figura anterior.

6.3 Conectar y desconectar el controlador

El controlador LED se fija al soporte de montaje con cuatro tornillos de retención a través del soporte en la placa base del controlador. Para una mayor flexibilidad, el controlador se puede desconectar del dispositivo y utilizar de forma remota con los cables de extensión del controlador LED Lumatek de 5 m (se venden por separado).



Montaje del controlador LED
tornillos de retención

Para conectar la salida del controlador y la atenuación al dispositivo; Asegúrese de que los conectores macho autobloqueantes de potencia y atenuación estén correctamente alineados con los conectores hembra correspondientes en el controlador y empújelos hasta que se bloquee con un clic.
Para desconectar; Gire el conector macho en sentido antihorario para desbloquear y separar de la hembra.

6.4 Sustitución y cambio de barras de luz

El diseño modular de la lámpara LED utiliza un controlador LED inteligente que puede disminuir o aumentar la potencia para que coincida con la cantidad de barras de luz de 100 W instaladas en el dispositivo automáticamente. Si no se requieren todas las barras de luz, el conductor solo extraerá la energía necesaria para la cantidad de barras de luz conectadas, por ejemplo, si hay seis barras de luz conectadas, el conductor solo extraerá 600 W para alimentarlas.

¡Advertencia! Se debe instalar al menos una barra de luz en el dispositivo antes de encenderlo.

6.5 Instalación de la luminaria

¡Advertencia! Monte el sistema en algo que pueda soportar el peso de la luminaria LED.

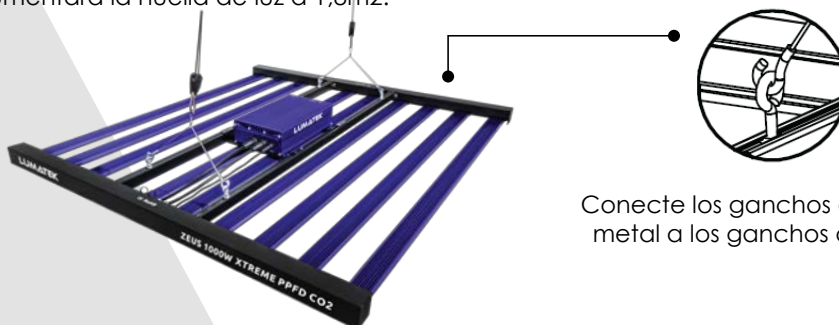
Asegúrese que todas las barras de luz estén instaladas correctamente y sean seguras. Con cuidado, gire el dispositivo y conecte los ganchos de cable de metal a los ganchos de montaje. Cuelgue el dispositivo en la posición y altura requeridas. Coloque el accesorio a 50cm – 1m por encima del dosel de la planta. Asegúrese que el dispositivo esté colgado horizontalmente.

Para alturas de colgado más cortas (50 cm) de la cubierta vegetal y una huella de 1,5 pies; se recomienda el suplemento de dióxido de carbono (CO₂) para que las plantas puedan fotosintetizar el muy alto nivel de PPFd producido a esta altura.

Para PPFd se recomienda más de 1000µmol/s/m² hasta un máximo de 1500µmol/s/m² suplementario CO₂ en una relación 1:1. Es decir, se recomienda a 1500µmol/s/m² PPFd suplementario CO₂.

¡Advertencia! Exponer los cultivos a un PPFd ultra alto sin suplementación CO₂ puede ser perjudicial para el crecimiento de la planta.

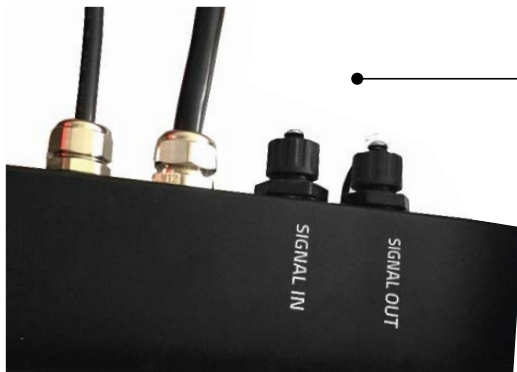
La luminaria LED se puede utilizar sin suplementación CO₂ a mayores alturas colgantes (1m+), ya que esto disminuirá el PPFd y aumentará la huella de luz a 1,8m².



Conecte los ganchos de cable de metal a los ganchos de montaje

6.6 Conexión del regulador manual o del controlador de iluminación externo

El control del atenuador o el controlador de iluminación están conectados al conector Signal IN del aparato. Esto permite ajustar la intensidad de luz (salida PPF) de acuerdo con los requisitos. La intensidad de luz del accesorio LED puede ajustarse sin cambiar la distribución de potencia espectral o perder eficiencia.



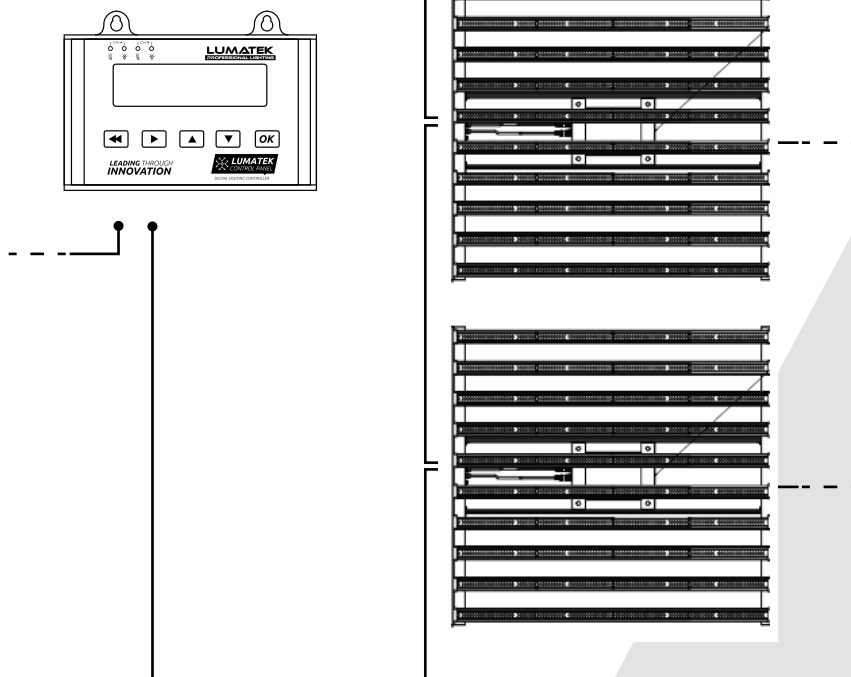
Conecte el cable del atenuador manual o el cable del controlador de iluminación al puerto SIGNAL IN.

6.7 Conexión de luminarias en serie para control externo

Para obtener instrucciones detalladas, por favor consulte el manual del panel de control de Lumatek.

Coloque y cuelgue cada accesorio adecuadamente. Los dispositivos de la serie Zeus utilizan el protocolo de señal 0-10V para el control.

Conecte el cable de señal de salida del controlador al accesorio 1 conector SIGNAL IN. Conecte el cable de señal del conector del dispositivo 1 SIGNAL OUT al conector del dispositivo 2 SIGNAL IN. Continúe conectando dispositivos en serie para hasta 100 dispositivos por controlador, vea la Fig.



6.8 Conexión de la luminaria LED a la red eléctrica

¡Advertencia! Por favor asegúrese que la red eléctrica esté apagada.

¡Advertencia! Asegúrese que el cable de alimentación no esté enrollado y que no toque ninguna superficie caliente.

¡Advertencia! Conecte los cables de acuerdo con las normas locales, las normas de seguridad y el código eléctrico.

¡Advertencia! Si no utiliza un controlador de iluminación externo, asegúrese que el equipo de conmutación externo pueda hacer frente a la corriente de entrada de la luminaria LED. Utilice siempre un contactor temporizador adecuado para cambiar una carga capacitiva. ¡Nunca use temporizadores domésticos para cambiar la luminaria LED!

¡Advertencia! No conecte ni desconecte el dispositivo LED bajo carga.

Asegúrese que el conector hembra del cable de alimentación del conductor del LED esté alineado correctamente con el conector macho correspondiente del conductor y presione junto hasta que se bloquee con el clic. Para desconectar; gire el conector hembra en sentido contrario a las agujas del reloj para desbloquear y separar del conductor.

Conecte el enchufe de alimentación de la red a cambio de engranaje/fuente de alimentación
Encienda la alimentación de red.

7. PRECAUCIONES AL USAR EL DISPOSITIVO LED

¡Advertencia! Asegúrese siempre que al menos una barra de luz esté conectada al dispositivo antes de encenderla. El Zeus system cuenta con un controlador LED inteligente que aumentará o disminuirá la potencia para que coincida con la cantidad de barras de luz conectadas al sistema.

¡Advertencia! Siempre espere de 20 a 30 minutos para que las barras de luz LED se enfríen.

8. INSPECCIÓN, MANTENIMIENTO Y REPARACIÓN

¡Advertencia! Siempre desconecte el dispositivo de la red eléctrica antes de realizar cualquier mantenimiento.

¡Advertencia! No conecte ni desconecte el dispositivo LED bajo carga.

¡Advertencia! No abra ni desmonte la luminaria LED, ya que no contiene piezas reparables en su interior. El abrir o modificar la luminaria LED puede ser peligroso y anulará la garantía.

¡Advertencia! Siempre espere de 20 a 30 minutos para que las barras de luz LED se enfríen.

¡Precaución! No limpie el dispositivo con detergentes, abrasivos u otras sustancias agresivas.

Revise regularmente el dispositivo para detectar la presencia de polvo o suciedad acumulada. Límpielo de ser necesario. La contaminación puede causar sobrecalentamiento y disminución del rendimiento. Limpie el exterior de la lámpara LED con un paño seco o húmedo.

Compruebe regularmente el cableado del producto para asegurarse que no esté dañado.

9. ALMACENAMIENTO Y ELIMINACIÓN

Almacene la luminaria en un ambiente seco y limpio, con una temperatura ambiente de -25°C a 55°C. No deseche el producto como residuo municipal sin antes clasificarlo, ya que debe recogerse por separado con fines de tratamiento, recuperación y eliminación ambientalmente racional.

10. GARANTÍA

Lumatek Ltd garantiza que los componentes mecánicos y electrónicos de su producto se encuentran libres de defectos de material y mano de obra si se utilizan en condiciones normales de funcionamiento durante un período de cinco (5) años a partir de la fecha original de compra. Si el producto muestra algún defecto dentro de este período y el defecto no se debe a un error del usuario o uso indebido, Lumatek deberá, a su discreción, reemplazar o reparar el producto con productos o piezas nuevas o reacondicionadas. En caso de que Lumatek decida reemplazar el producto completo, esta garantía limitada se aplicará al producto de reemplazo por el período de garantía inicial restante, es decir, cinco (5) años a partir de la fecha de compra del producto original. Para ser atendido, devuelva el accesorio a su tienda con el recibo de compra original.

LUMATEK
PROFESSIONAL LIGHTING



Para más información sobre
los productos Lumatek
visitar www.lumatek-lighting.com

LUMATEK ZEUS 1000W XTREME PPFD CO2 LED MANUAL

DEUTSCH

INHALTSVERZEICHNISS

1. **Einführung**
2. **Produktbeschreibung**
3. **Produktinformationen und Spezifikationen**
 - 3.1 Allgemeine Produktinformationen
 - 3.2 Technical Specifications
 - 3.2 Vorrichtungsmaße
 - 3.3 Technische Spezifikationen
 - 3.4 Light distribution curve
 - 3.5 Lichtverteilungskurve
 - 3.6 Rechtliches
4. **Sicherheitsempfehlungen und Warnungen**
5. **Contents**
6. **Instalation**
 - 6.1 Montieren Sie den Rahmen
 - 6.2 Schließen Sie den Treiber an
 - 6.3 Schließen Sie die LED-Lichtleisten an
 - 6.4 Lichtleisten ersetzen und wechseln
 - 6.5 Installation der Leuchte
 - 6.6 Anschließen der manuellen Dimmersteuerung
 - 6.7 Reihenschaltung von Geräten zur externen Steuerung
 - 6.8 Anschließen der LED-Leuchte an das Stromnetz
7. **Vorsichtsmaßnahmen bei der Verwendung der LED-Leuchte**
8. **Inspektion, Wartung und Reparatur**
9. **Storage and disposal**
10. **Lagerung und Entsorgung**

1. EINLEITUNG

Vielen Dank für den Kauf des Lumatek 1000W Xtreme PPFd CO² lineares Multi-Lichtbalken-LED-Leuchtmittel entschieden haben. Dieses Handbuch beschreibt die Installation und Verwendung des Zeus Xtreme-Leuchtmittels. Bitte lesen Sie dieses Handbuch sorgfältig durch, bevor Sie versuchen, ein System der Lumatek Zeus-Serie zu installieren oder zu bedienen. Wenn Sie mit der Installation von leistungsstarken Beleuchtungssystemen nicht vertraut sind, sollten Sie die Dienste eines qualifizierten Installationsprofis in Anspruch nehmen.

2. PRODUKTBE SCHREIBUNG

Die Lumatek Zeus 1000W Xtreme PPFd CO² LED ist eine elektronische Gartenbau-LED-Leuchte, die ein lineares Array-Design mit zehn 100W-Lichtleisten verwendet. Die Zeus Xtreme ist eine sehr leistungsstarke, vollzyklische Top-Beleuchtungslösung für den kommerziellen Gartenbau, mit der Leistung und Flexibilität, vom vegetativen Wachstum bis zu höheren Lichtintensitäten in der Blüte zu skalieren.

Entwickelt für den Einsatz in einer CO² angereicherten Umgebung kann die Zeus Xtreme LED näher am Pflanzdach positioniert werden, um sehr hohe PPFd-Werte zu erreichen, die zusätzliches Kohlendioxid erfordern (CO²) damit die Pflanzen es vollständig für die Photosynthese nutzen können.

Die Zeus Xtreme LED kann ohne Zusatzlicht verwendet werden. CO² Die Zeus Xtreme LED kann ohne Zusatzbeleuchtung verwendet werden, sollte aber in einer größeren Höhe über dem Pflanzdach angebracht werden, was die Lichtfläche vergrößert, aber den PPFd-Wert verringert.

In diesem Handbuch wird die Lumatek Zeus 1000W Xtreme PPFd CO² LED als "die LED-Leuchte" bezeichnet.

3. PRODUKTINFORMATIONEN UND -SPEZIFIKATIONEN

3.1 Allgemeine Produktinformationen

| | |
|-------------|--|
| PRODUKTNAME | Lumatek Zeus 1000W XTREME PPFd CO ² LED |
| TEILENUMMER | LUMLED003 |
| HERSTELLER | Lumatek EU |
| EAN | 5060560031185 |
| STECKERTYP | UK/EU |

3.2 Technische Spezifikationen

| | |
|--|---|
| PPF | 2925 µmol/s |
| WIRKSAMKEIT | bis zu 2.9 µmol/J |
| SPEKTRUM | Full spectrum F |
| LICHTQUELLE | höhere Spezifikation LUMILEDS (W) & Osram (R) LED |
| DIMENSIONEN (LxWxH) | 1182 x 1091 x 106mm |
| GEWICHT | 18Kg |
| LEBENSDAUER | >60000H |
| BETRIEBSTEMPERATUR | -20°C -- +40°C |
| BETRIEBSFEUCHTIGKEIT | 20% - 90% |
| WASSERDICHT / STAUBDICHT | IP65 |
| ABSTRAHLWINKEL | 120° |
| MANUELLES DIMMEN/EXTERNE BELEUCHTUNGSSTEUERUNG | 0-10V Signalprotokoll |

EINGANGSSPANNUNG (V)

VMAINS=230V 50/60HZAC

| DIMMVERHÄLTNIS | EINGANGSLEISTUNG (W) | EINGANGSSTROM (A) |
|----------------|----------------------|-------------------|
| 100% | 1075 | 4,85 |
| 75% | 808 | 3,66 |
| 50% | 520 | 2,42 |
| 25% | 260 | 1,33 |

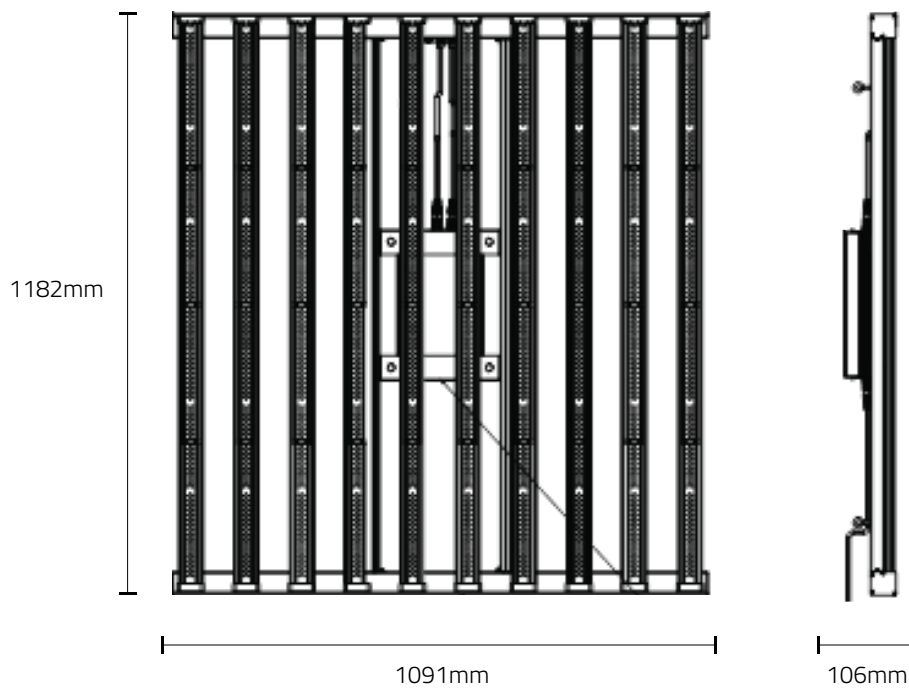
VMAINS=240V 50/60HZAC

| DIMMVERHÄLTNIS | EINGANGSLEISTUNG (W) | EINGANGSSTROM (A) |
|----------------|----------------------|-------------------|
| 100% | 1075 | 4,67 |
| 75% | 806 | 3,53 |
| 50% | 519 | 2,35 |
| 25% | 260 | 1,29 |

VMAINS=277V 50/60HZAC

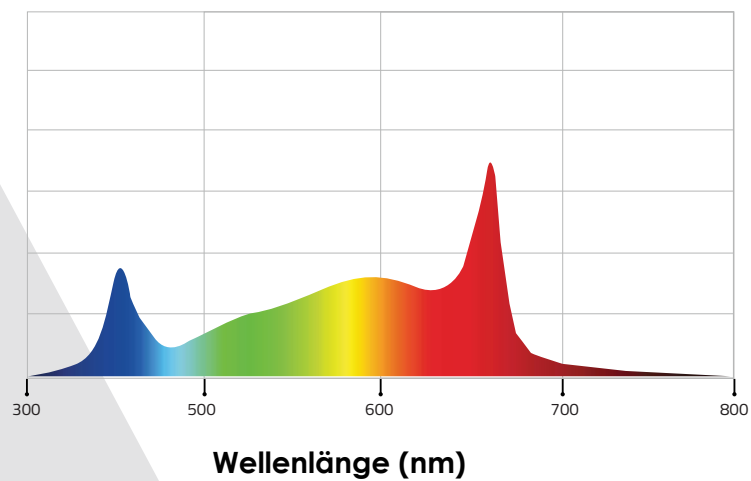
| DIMMVERHÄLTNIS | EINGANGSLEISTUNG (W) | EINGANGSSTROM (A) |
|----------------|----------------------|-------------------|
| 100% | 1075 | 4,13 |
| 75% | 806 | 3,14 |
| 50% | 520 | 2,11 |
| 25% | 263 | 1,2 |

3.3 Vorrichtungsmäße

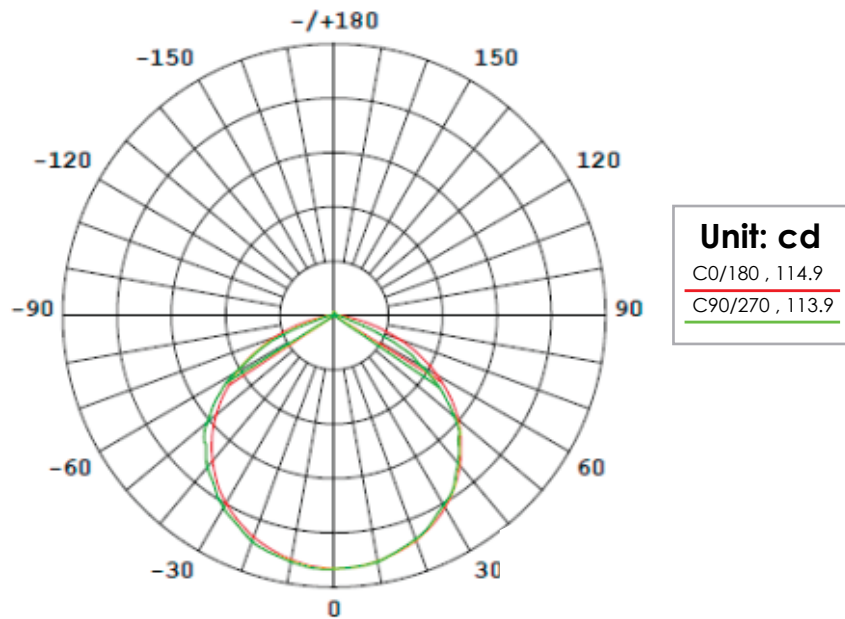


3.4 Spektren

Vollspektrum



3.5 Lichtverteilungskurve



3.6 Umgebung

Die LED-Leuchte ist für den Einsatz in klimatisierten Growräumen und Indoor-Farmen vorgesehen. Das Produkt kann in feuchten Umgebungen verwendet werden, darf aber nicht in nassen Umgebungen oder im Freien verwendet werden.

Das Produkt wird bei Umgebungstemperaturen von -20°C bis 40°C betrieben, funktioniert aber optimal zwischen 20°C und 30°C.

Das Produkt wird bei 20% - 90% Luftfeuchtigkeit betrieben, nicht kondensierend.

3.7 Rechtliches

Dieses Produkt ist CE & UKCA-zertifiziert und erfüllt die Teststandards der LVD- und EMV-Richtlinie.

4. SICHERHEITSEMPFEHLUNGEN UND WARNHINWEISE

Warnung! Lesen Sie die folgenden Warnhinweise sorgfältig durch, bevor Sie das Produkt verwenden oder mit ihm arbeiten!

- Beachten Sie bei der Installation oder Verwendung der LED-Leuchte immer die örtlichen Bestimmungen und Vorschriften.
- Öffnen oder demontieren Sie die LED-Leuchte keinesfalls, da sie keine wartungsfähigen Teile im Inneren enthält. Das Öffnen oder Modifizieren des LED-Leuchtmittels kann gefährlich sein und führt zum Erlöschen der Garantie.
- Verwenden Sie die LED-Leuchte nicht, wenn entweder die LED-Leuchte oder das Netzkabel beschädigt sind. Ersetzen Sie das Netzkabel nur durch ein korrekt dimensioniertes Kabel.
- Änderungen an den Kabeln können zu unerwünschten elektromagnetischen Einflüssen führen, die dazu führen können, dass das Produkt nicht den gesetzlichen Anforderungen entspricht.
- Setzen Sie das LED-Gerät keinem der Folgenden aus:

- Kondensierende Feuchtigkeit, starker Nebel oder Sprühregen;
- Umgebungstemperaturen außerhalb des angegebenen Bereichs;
- Staub und Verunreinigungen;
- Direktes Sonnenlicht während des Gebrauchs oder HID-Licht, das den Treiber erhitzen kann. Trennen Sie das LED-Gerät immer vom Stromnetz, bevor Sie Wartungsarbeiten durchführen. Halten Sie immer eine Abkühlzeit von mindestens 20-30 Minuten ein, bevor Sie die LED-Lichtleisten berühren. Berühren der LED-Leisten, wenn das Gerät leuchtet oder unmittelbar danach, kann zu Verbrennungen führen!
- Natürliche Konvektion entzieht dem Kühlkörper Wärme. Damit sich das System auch selbst richtig abkühlt, ist ein Abstand von mindestens 5 cm zwischen der Leuchte und dem Dach Ihrer Anbaufläche erforderlich.
- Verwenden Sie zur Reinigung der LED-Leuchte keine scheuernden Materialien oder aggressiven Reinigungsmittel, da dies die Sekundäroptik beschädigen kann. Verwenden Sie stattdessen ein sauberes, trockenes Gewebe/Tuch.
- Verwenden Sie die LED-Leuchte nicht in der Nähe von brennbaren, explosiven oder reaktiven Stoffen. Die LED-Leuchte kann Temperaturen von 40°C erreichen.
- Verwenden Sie keine Schwefelverdampfer oder Wasserzerstäuber.
- Die Installation und Verwendung der LED-Leuchte liegt in der Verantwortung des Endverbrauchers. Unsachgemäße Verwendung oder Installation kann zu Ausfällen und Schäden an der LED-Leuchte führen. Schäden an der LED-Leuchte und der elektronischen Schaltung durch unsachgemäße Installation und Verwendung führen zum Erlöschen der Garantie.

5. INHALT

1x ANLEITUNG

2x METALL-KABELHALTERUNG

1x DIMMING-CONTROLLER 0-10V

Wird an das Dimmsteuerkabel des Treibers angeschlossen.

1x LED TREIBER

Enthält Buchsen für Stromausgang & Dimmen und Stecker für Stromversorgungs-eingang'

1x STÜTZRAHMEN

1x LED RAHMEN B

Enthält Stromeingänge & selbstverriegelnde Dimm-Steckverbinder und Steuersignalan-schlüsse

1x UNTERSTÜTZUNGSRAHMEN
(enthält LED-Treiber-Montagewinkel)

10x LED LICHTLEISTE

6. INSTALLATION

Warnung! Die Montage und Installation der LED-Leuchte muss in Übereinstimmung mit den geltenden lokalen Gesetzen und Vorschriften erfolgen.

Warnung! Der Installateur ist für die korrekte und sichere Installation verantwortlich.

Warnung! Stellen Sie sicher, dass die lokale Verkabelung den Spannungs- und Stromanforderungen der LED-Leuchte entspricht.

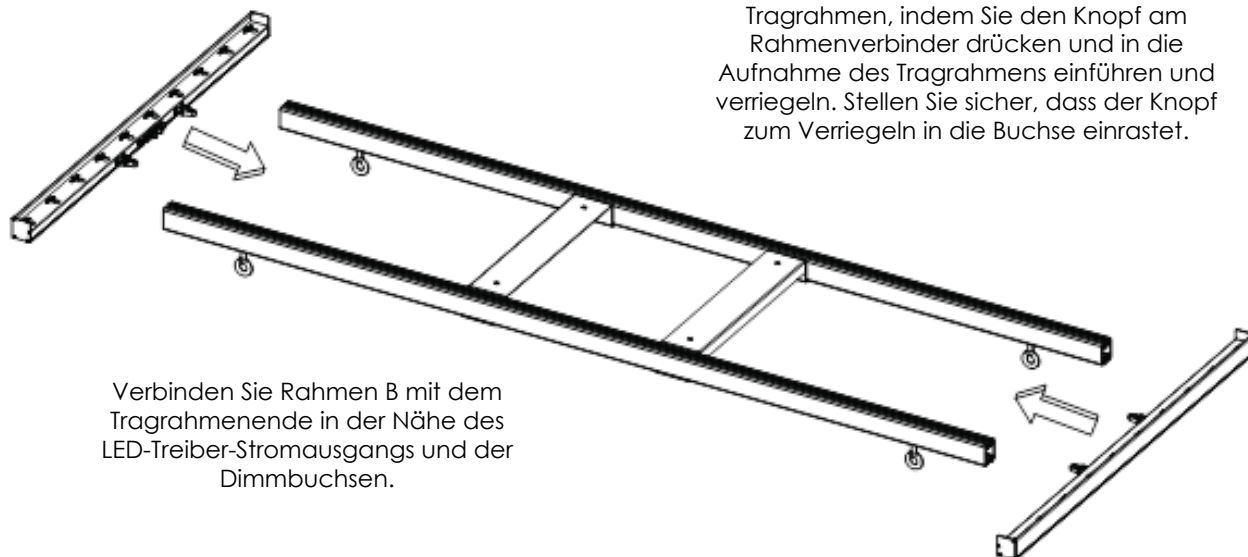
Warnung! Vermeiden Sie Spiralkabel und halten Sie die Netzleitungen getrennt, um elektromagnetische Störungen zu vermeiden.

Warnung! Schließen oder trennen Sie das LED-Gerät nicht unter Last.

6.1 Montage und Installation der Vorrichtung

Bitte seien Sie beim Zusammenbau der Vorrichtung vorsichtig und stellen Sie sicher, dass alle Verbindungen wahr und sicher sind

6.1.1 Montieren Sie den Rahmen

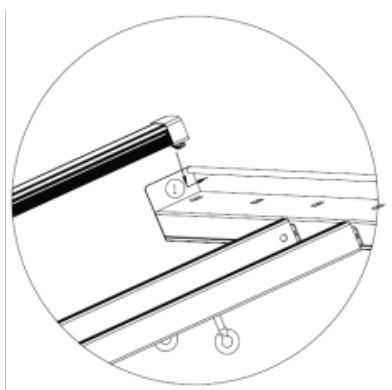


Verbinden Sie Rahmen A und B mit dem Tragrahmen, indem Sie den Knopf am Rahmenverbinder drücken und in die Aufnahme des Tragrahmens einführen und verriegeln. Stellen Sie sicher, dass der Knopf zum Verriegeln in die Buchse einrastet.

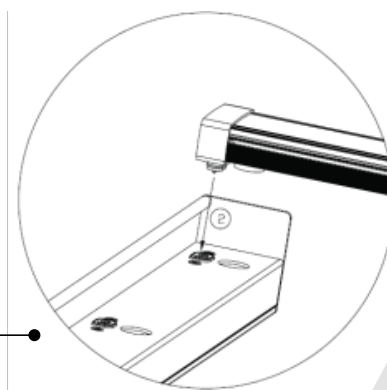
Verbinden Sie Rahmen B mit dem Tragrahmenende in der Nähe des LED-Treiber-Stromausgangs und der Dimmbuchsen.

Achten Sie bei der Montage auf die Richtung; die LED-Treiberhalterung befindet sich beim Aufhängen des Geräts oben.

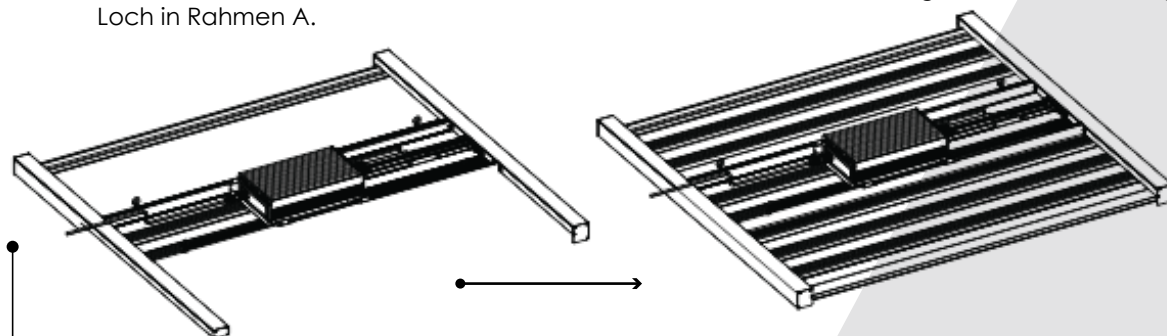
6.2 Schließen Sie die LED-Lichtleisten an



Stellen Sie sicher, dass der Treiber gesichert ist, und drehen Sie das Gerät um, sodass sich der Treiber jetzt darunter befindet. Setzen Sie das Ende ein der Lichtleiste mit dem Haken in das Quadrat Loch in Rahmen A.



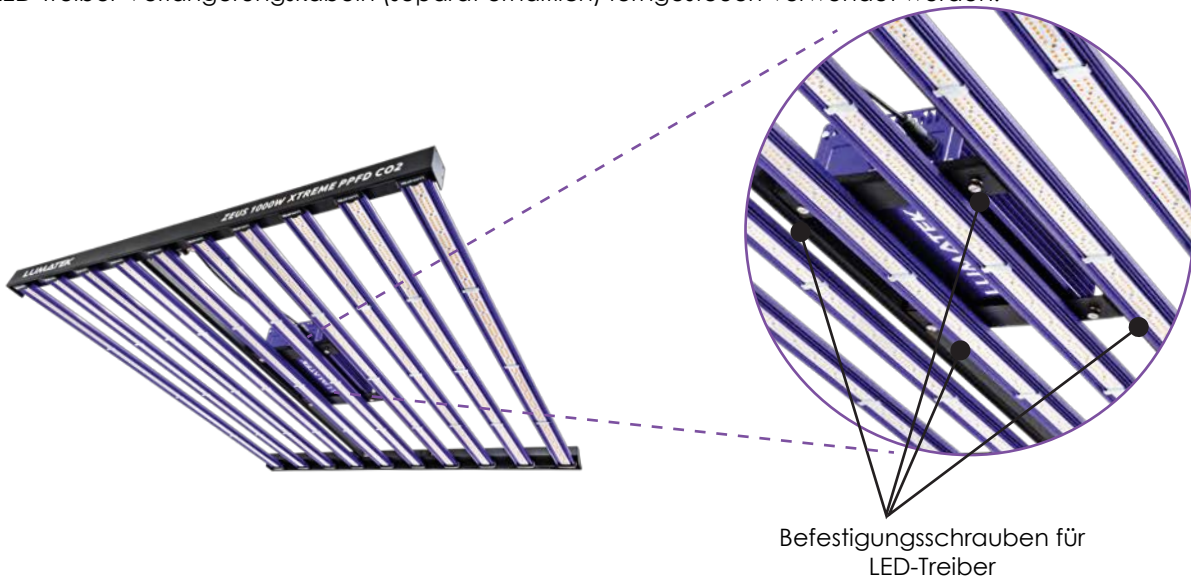
Dann stecken Sie das andere Ende ein; Richten Sie das runde Loch aus auf Rahmen B mit dem magnetischen Ende des Lichtbalkens und stecken Sie den Stecker in die Buchse. Stellen Sie sicher, dass die magnetische Verbindung sicher ist.



Setzen Sie den Rest der Lichtbalken wie in der Abbildung oben gezeigt in den Leuchtenrahmen ein.

6.3 Verbinden und trennen Sie den Treiber

Der LED-Treiber wird mit vier Halteschrauben durch die Halterung in die Treibergrundplatte an der Montagehalterung befestigt. Für mehr Flexibilität kann der Treiber von der Leuchte getrennt und mit Lumatek 5m LED-Treiber-Verlängerungskabeln (separat erhältlich) ferngesteuert verwendet werden.



Stellen Sie sicher, dass die selbstverriegelnden Stecker des Treibers und des Dimmers korrekt auf die entsprechenden Buchsen des Treibers ausgerichtet sind und drücken Sie sie zusammen, bis sie mit einem Klick einrasten. Zum Trennen; Stecker gegen den Uhrzeigersinn drehen, um ihn zu entriegeln, und von der Buchse abziehen.

6.4 Wechseln und Ersetzen von Lichtleisten und modularer Einsatz

Einzelne 100W-Lichtbalken sind als Ersatz oder mit unterschiedlichen Spektralverhältnissen erhältlich, um die Spektralleistung der Vorrichtung anzupassen.

Das modulare Design der LED-Leuchte verwendet einen intelligenten LED-Treiber, der die Leistung automatisch verringert oder erhöht, um sie an die Anzahl der installierten 100-W-Lichtleisten anzupassen. Wenn nicht alle Lichtleisten benötigt werden, nimmt der Treiber nur die Leistung auf, die für die Anzahl der angeschlossenen Lichtleisten erforderlich ist, z. B. wenn sechs Lichtleisten angeschlossen sind, nimmt der Treiber nur 600 W auf, um sie zu betreiben.

Warnung! Vor dem Einschalten muss mindestens ein Lichtbalken in der Leuchte installiert sein.

6.5 Installation des Geräts

Warnung! Montieren Sie das System an etwas, das das Gewicht der LED-Leuchte tragen kann.

Vergewissern Sie sich, dass alle Lichtleisten korrekt installiert und sicher sind. Drehen Sie das Gerät vorsichtig um und befestigen Sie die Metallkabelaufhänger an den Montagehaken. Hängen Sie das Gerät in der gewünschten Position und Höhe auf, positionieren Sie die Halterung 50cm – 1m über dem Pflanzdach. Vergewissern Sie sich, dass das Gerät horizontal aufgehängt ist.

Für kürzere Aufhängehöhen (50 cm) vom Pflanzdach und einen 1,5m² Fußabdruck; zusätzliches Kohlendioxid (CO₂) empfohlen, damit die Pflanzen den in dieser Höhe erzeugten sehr hohen PPFd-Wert photosynthetisieren können.

Für PPFd über 1000µmol/s//m² bis zu max. 1500µmol/s/m² ergänzend CO₂ im Verhältnis 1:1 empfohlen. d.h. bei 1500µmol/s/m² PPFd wird eine Ergänzung CO₂ bei 1500ppm wird empfohlen.

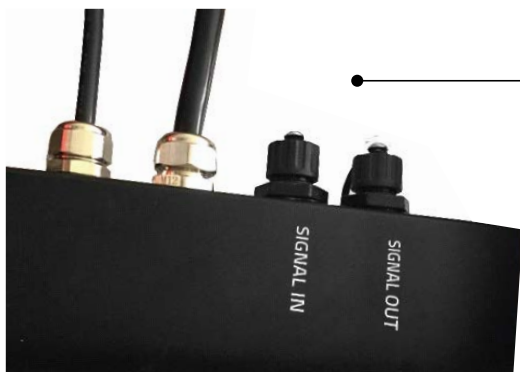
Warnung! Die Exposition von Pflanzen gegenüber ultrahohem PPFd ohne zusätzliches CO₂ kann für das Pflanzenwachstum schädlich sein.

Die LED-Leuchte kann ohne Zusatzlicht verwendet werden CO₂ bei größeren Aufhängehöhen (1m+) verwendet werden, da dies die PPFd verringert und die Lichtausbeute auf 1,8m².



6.6 Anschluss des manuellen Dimmers oder der externen Lichtsteuerung

Die Dimmersteuerung oder Lichtsteuerung ist mit dem Anschluss Signal IN des Geräts verbunden. Dadurch kann die Lichtintensität (PPF-Ausgang) bedarfsgerecht eingestellt werden. Die Lichtintensität der LED-Leuchte kann eingestellt werden, ohne die spektrale Leistungsverteilung zu verändern oder die Effizienz zu beeinträchtigen.



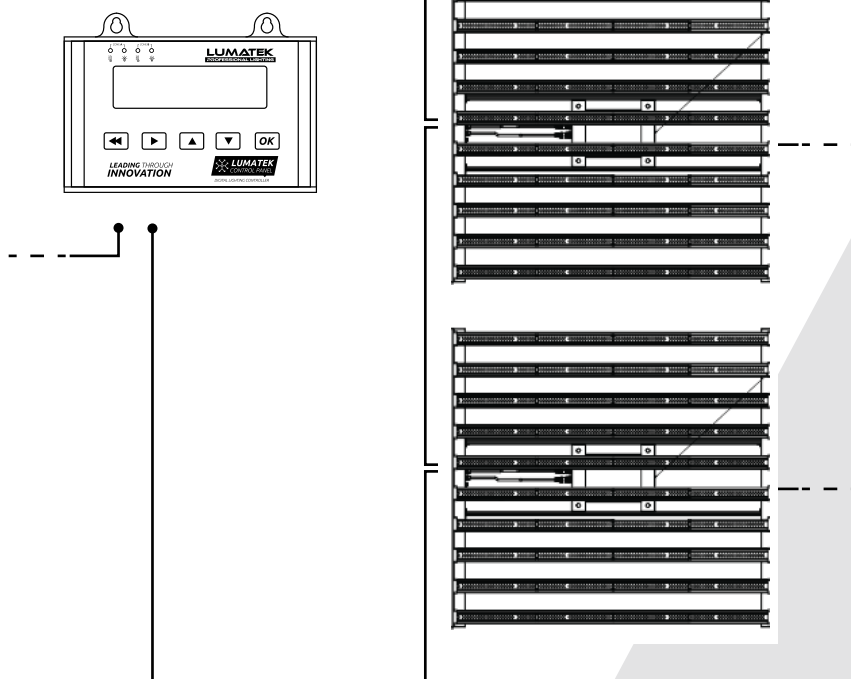
Schließen Sie das manuelle Dimmerkabel oder das Lichtsteuerungskabel an den SIGNAL IN-Anschluss an.

6.7 Reihenschaltung von Leuchten zur externen Steuerung

Detaillierte Anweisungen finden Sie im Handbuch des Lumatek Control Panels.

Positionieren und hängen Sie jedes Gerät entsprechend. Verbinden Sie die T-Verbindungskomponente der Signalleitung mit der Dimmerleitung der Leuchte 1. Geräte der Zeus-Serie verwenden zur Steuerung das 0-10-V-Signalprotokoll.

Schließen Sie das Controller-Ausgangssignalkabel an den SIGNAL IN-Anschluss von Gerät 1 an. Verbinden Sie das Signalkabel vom SIGNAL OUT-Anschluss von Gerät 1 mit dem SIGNAL IN-Anschluss von Gerät 2. Schließen Sie die Geräte weiterhin in Reihe für bis zu 100 Geräte pro Controller an, siehe Abb.



6.8 Anschluss der LED-Leuchte an das Stromnetz

Warnung! Stellen Sie sicher, dass die Netzspannung ausgeschaltet ist.

Warnung! Stellen Sie sicher, dass das Netzkabel nicht gekrümmt oder gewickelt ist und keine heißen Oberflächen berührt.

Warnung! Schließen Sie die Kabel gemäß den örtlichen Vorschriften, Sicherheitsvorschriften und elektrischen Vorschriften an.

Warnung! **Warnung!** Wenn Sie keine externe Lichtsteuerung verwenden, stellen Sie sicher, dass das externe Schaltgerät den Einschaltstrom der LED-Leuchte bewältigen kann. Verwenden Sie immer ein Zeitschalterschütz, das zum Schalten einer kapazitiven Last geeignet ist. Verwenden Sie niemals eine Zeitschaltuhr zum Schalten der LED-Leuchte!

Warnung! Schließen oder trennen Sie das LED-Gerät niemals unter Last.

Stellen Sie sicher, dass die selbstverriegelnde Buchse des LED-Treiber-Stromversorgungskabels korrekt auf den entsprechenden Stecker am Treiber ausgerichtet ist, und schieben Sie sie zusammen, bis sie mit einem Klick einrastet. Zum Trennen der Verbindung; Buchse gegen den Uhrzeigersinn drehen, um sie zu entriegeln, und vom Treiber abziehen.

Netzstecker an Schaltgerät/Netzgerät anschließen.
Schalten Sie die Netzspannung ein.

7. VORSICHTSMAßNAHMEN BEI DER VERWENDUNG DER LED-LEUCHE

Warnung! Stellen Sie immer sicher, dass mindestens ein Lichtbalken an das Gerät angeschlossen ist, bevor Sie es einschalten. Der Zeus System verfügt über einen intelligenten LED-Treiber, der die Leistung erhöht oder verringert, um die Anzahl der an das System angeschlossenen Lichtbalken anzupassen.

Warnung! Warten Sie immer 20 - 30 Minuten, bis sich die LED-Lichtbalken abgekühlt haben.

8. INSPEKTION, WARTUNG UND REPARATUR

Warnung! Trennen Sie die LED-Leuchte vom Stromnetz, bevor Sie Wartungs- oder Reparaturarbeiten durchführen.

Warnung! Schließen oder trennen Sie das LED-Gerät nicht unter Last.

Warnung! Öffnen oder demontieren Sie die LED-Leuchte nicht, sie enthält keine wartungsfähigen Teile im Inneren. Das Öffnen der LED-Leuchte kann gefährlich sein und führt zum Erlöschen der Garantie.

Warnung! Warten Sie immer 20 - 30 Minuten, bis sich die LED-Lichtbalken abgekühlt haben.

Vorsicht! Reinigen Sie die LED-Leuchte nicht mit Reinigungsmitteln, Scheuermitteln oder anderen aggressiven Substanzen.

Überprüfen Sie die LED-Leuchte regelmäßig auf Staub oder Schmutzablagerungen. Bei Bedarf reinigen. Verunreinigungen können zu Überhitzung und Leistungseinbußen führen.
Reinigen Sie die Außenseite des LED-Leuchten mit einem trockenen oder feuchten Tuch.

Überprüfen Sie regelmäßig die Kabel der LED-Leuchte auf Beschädigungen.

9. LAGERUNG UND ENTSORGUNG

Lagern Sie die LED-Leuchte in einer trockenen und sauberen Umgebung mit einer Umgebungstemperatur von -25°C bis 55°C. Das Produkt darf nicht als unsortierter Hausmüll entsorgt werden, sondern muss separat gesammelt werden, um eine Behandlung, Verwertung und umweltgerechte Entsorgung zu ermöglichen.

10. GARANTIE

Lumatek Ltd. garantiert, dass die mechanischen und elektronischen Komponenten ihres Produkts bei Verwendung unter normalen Betriebsbedingungen für einen Zeitraum von fünf (5) Jahren ab dem ursprünglichen Kaufdatum frei von Material- und Verarbeitungsfehlern sind. Wenn das Produkt innerhalb dieser Frist Mängel aufweist und dieser Fehler nicht auf einen Benutzerfehler oder eine unsachgemäße Verwendung zurückzuführen ist, wird Lumatek Ltd. nach eigenem Ermessen das Produkt entweder ersetzen oder mit geeigneten neuen oder überholten Produkten oder Teilen reparieren. Falls Lumatek Ltd. beschließt, das gesamte Produkt zu ersetzen, gilt diese beschränkte Garantie für das Ersatzprodukt für die verbleibende anfängliche Garantiezeit, d.h. fünf (5) Jahren ab Kaufdatum des ursprünglichen Produkts. Zur Reparatur: Senden Sie das Produkt mit dem Originalkaufbeleg an Ihren Händler zurück.

LUMATEK
PROFESSIONAL LIGHTING



Weitere Informationen zu
Lumatek-Produkten
Besuch www.lumatek-lighting.com

LUMATEK ZEUS 1000W XTREME PPFD CO2 LED MANUALE

ITALIANO

SOMMARIO

1. **Introduzione**
2. **Descrizione del prodotto**
3. **Informazioni sul prodotto e specifiche**
 - 3.1 Informazioni generali sul prodotto
 - 3.2 Specifiche tecniche
 - 3.3 Dimensioni apparecchio
 - 3.4 Grafico dello spettro
 - 3.5 Curva di distribuzione della luce
 - 3.6 Ambiente
 - 3.7 Legale
4. **Consigli di sicurezza e avvertenze**
5. **Contenuto**
6. **Installazione**
 - 6.1 Montare il telaio
 - 6.2 Collega il driver
 - 6.3 Collegare le barre luminose a LED
 - 6.4 Sostituzione e modifica delle barre luminose
 - 6.5 Installazione del dispositivo
 - 6.6 Collegamento del controllo dimmer manuale
 - 6.7 Collegamento di apparecchi in serie per controllo esterno
 - 6.8 Collegamento dell'apparecchio a LED alla rete elettrica
7. **Precauzioni quando si utilizza l'apparecchiatura a LED**
8. **Inspection, maintenance and repair**
9. **Conservazione e smaltimento**
10. **Garanzia**

1. INTRODUZIONE

Grazie per aver acquistato il Lumatek1000W Xtreme PPF₂ CO₂ barra multifunzione lineare a LED. Questo manuale descrive come installare e utilizzare l'apparecchio ZeusXtreme; si prega di leggere attentamente il presente manuale prima di tentare di installare o utilizzare qualsiasi sistema Lumatek serie Zeus. Se non si ha familiarità con l'installazione di sistemi di illuminazione ad alte prestazioni, ci si dovrebbe rivolgere a un professionista qualificato nell'istallazione.

2. DESCRIZIONE PRODOTTO

Lumatek Zeus 1000W Xtreme PPF₂ CO₂ LED è un apparecchio elettronico a LED per l'orticoltura che utilizza un design a matrice lineare con dieci barre luminose da 100W. ZeusXtreme è una soluzione di illuminazione a ciclo completo ad altissime prestazioni per la coltivazione dell'orticoltura commerciale, con la potenza e la flessibilità necessarie per passare dalla crescita vegetativa a una maggiore intensità luminosa in fioritura. Progettato per l'uso in un ambiente arricchito di CO₂, il LED Zeus Xtreme LED può essere posizionato più vicino alla copertura dell'impianto per livelli molto elevati di PPF₂ che richiedono l'aggiunta di anidride carbonica (CO₂) per le colture da utilizzare completamente per la fotosintesi.

Lo Zeus Xtreme LED può essere utilizzato senza supplemento CO₂ ma dovrebbe essere posizionato ad una maggiore altezza di sospensione dal tettuccio dell'impianto, aumentando l'ingombro della luce ma riducendo il livello di PPF₂.

In questo manuale il Lumatek Zeus 1000W Xtreme PPF₂ CO₂ LED sarà indicato come: "l'apparecchio a LED".

3. INFORMAZIONI E LE SPECIFICHE DEL PRODOTTO

3.1 Informazioni generali sul prodotto

| | |
|-------------------|--|
| NOME DEL PRODOTTO | Lumatek Zeus 1000W XTREME PPF ₂ CO ₂ LED |
| NUMERO PARTE | LUMLED003 |
| FABBRICANTE | Lumatek EU |
| EAN | 5060560031185 |
| TIPO DI SPINA | UK/EU |

3.2 Specifiche tecniche

| | |
|---|---|
| PPF | 2925 µmol/s |
| EFFICACIA | Fino a 2.9 µmol/J |
| SPETTRO | Spettro completo F |
| FONTI DI LUCE | specifiche superiori LUMILEDS (W) & Osram (R) LED |
| DIMENSIONI (LxWxH) | 1182 x 1091 x 106mm |
| PESO | 18Kg |
| DURATA DI VITA | >60000H |
| TEMPERATURA DI LAVORO | -20°C -- +40°C |
| UMIDITÀ DI LAVORO | 20% - 90% |
| IMPERMEABILE/ANTIPOLVERE | IP65 |
| ANGOLO DEL FASCIO LUMINOSO | 120° |
| REGOLAZIONE INTENSITÀ LUMINOSA MANUALE/ CONTROLLER ILLUMINAZIONE ESTERNA | 0-10V protocollo del segnale |

TENSIONE IN INGRESSO (V)

VMAINS=230V 50/60HZAC

| RAPPORTO DI ATTENUAZIONE | POTENZA DI INGRESSO (W) | CORRENTE DI INGRESSO (A) |
|--------------------------|-------------------------|--------------------------|
| 100% | 1075 | 4,85 |
| 75% | 808 | 3,66 |
| 50% | 520 | 2,42 |
| 25% | 260 | 1,33 |

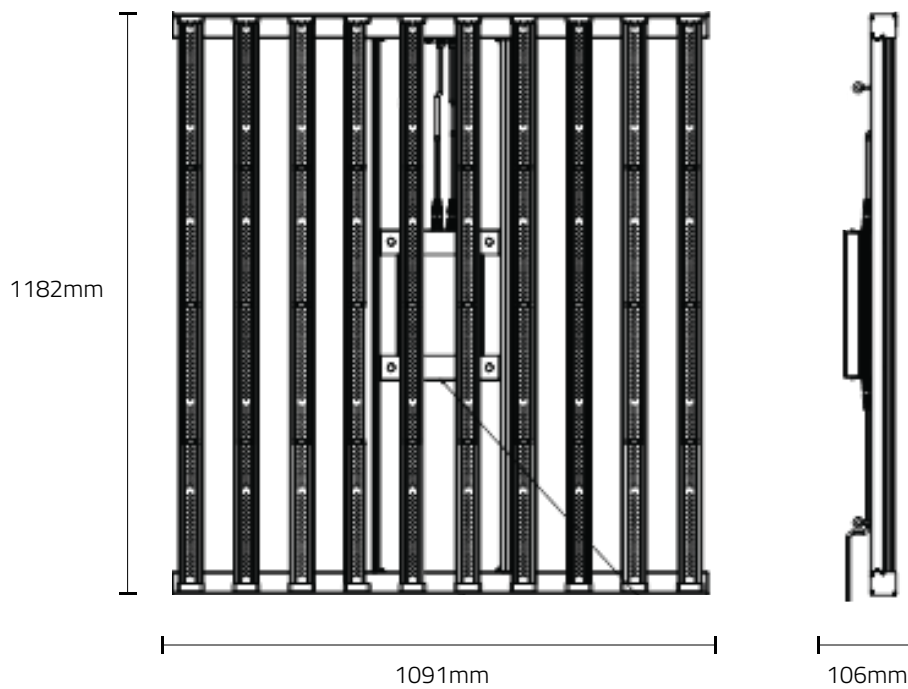
VMAINS=240V 50/60HZAC

| RAPPORTO DI ATTENUAZIONE | POTENZA DI INGRESSO (W) | CORRENTE DI INGRESSO (A) |
|--------------------------|-------------------------|--------------------------|
| 100% | 1075 | 4,67 |
| 75% | 806 | 3,53 |
| 50% | 519 | 2,35 |
| 25% | 260 | 1,29 |

VMAINS=277V 50/60HZAC

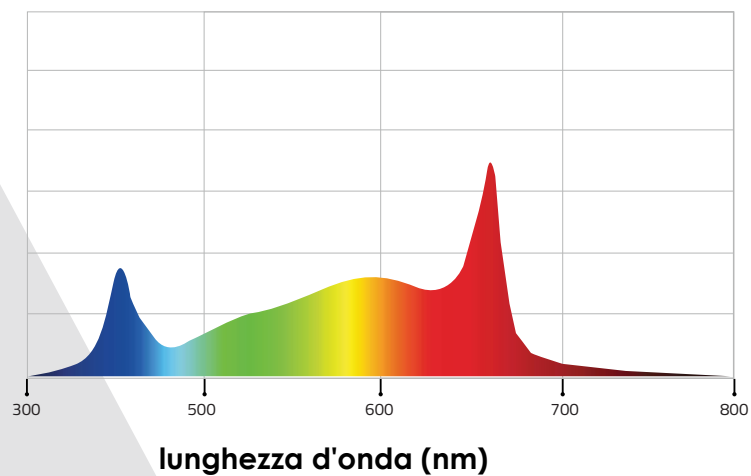
| RAPPORTO DI ATTENUAZIONE | POTENZA DI INGRESSO (W) | CORRENTE DI INGRESSO (A) |
|--------------------------|-------------------------|--------------------------|
| 100% | 1075 | 4,13 |
| 75% | 806 | 3,14 |
| 50% | 520 | 2,11 |
| 25% | 263 | 1,2 |

3.3 Dimensioni apparecchio

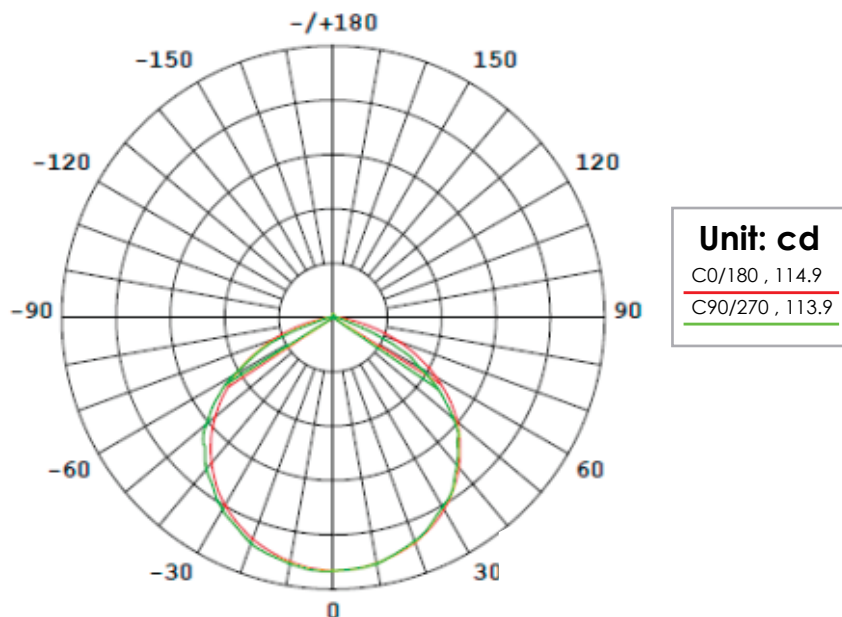


3.4 Spettri

Spettro completo



3.5 Curva di distribuzione della luce



3.6 Ambiente

L'apparecchio a LED è destinato ad essere utilizzato in stanze per la coltivazione a clima controllato e in aziende agricole al coperto. Il prodotto può essere utilizzato in ambienti umidi, ma non può essere usato in ambienti bagnati o all'esterno.

Il prodotto funziona a temperature ambiente da -20°C a 40°C, ma funziona a livello ottimale tra i 20°C e i 30°C. Il prodotto opererà con umidità 20% - 90% di umidità, senza produrre condensa.

3.7 Legale

Questo prodotto è certificato CE & UKCA conforme agli standard di prova delle direttive LVD ed EMC.

4. CONSIGLI E AVVERTENZE SULLA SICUREZZA

Avvertimento! Leggere attentamente le avvertenze di seguito prima di utilizzare o lavorare con il prodotto! Rispettare sempre le norme e i regolamenti locali durante l'installazione o l'utilizzo dell'apparecchio a LED.

- Non aprire o smontare l'apparecchio a LED in quanto non contiene parti riparabili all'interno. L'apertura o la modifica del dispositivo del LED può essere pericoloso e invalidare la garanzia.
- Non utilizzare l'apparecchio a LED se l'apparecchio a LED o il cavo di alimentazione sono danneggiati. Sostituire il cavo di alimentazione esclusivamente con un cavo con impedenza nominale corretta.
- Modifiche ai cavi possono portare ad effetti elettromagnetici indesiderati che possono rendere il prodotto non conforme ai requisiti di legge.
- Non esporre l'apparecchio a LED a:
Condensa, nebbia pesante o spruzzo diretto;
Temperature ambiente fuori dal range specificato;
Polvere e contaminazione;
Luce solare diretta durante l'uso o luce HID che possono riscaldare il driver.

- Scollegare sempre l'apparecchio LED dalla rete prima di eseguire la manutenzione.
- Consentire sempre un periodo di raffreddamento di almeno 20-30 minuti prima di toccare le barre luminose a LED. Toccando le barre LED quando l'apparecchio è acceso o immediatamente dopo può provocare ustioni!
- La convezione naturale rimuove calore dal dissipatore di calore. Affinché il sistema si raffreddi correttamente, sono richiesti almeno 5 centimetri di spazio tra l'apparecchio e il tetto dell'area di coltivazione.
- Non usare materiali abrasivi o detergenti aggressivi per pulire l'apparecchio a LED per evitare di danneggiare l'ottica secondaria. Utilizzare invece un tessuto/panno pulito e asciutto.
- Non utilizzare l'apparecchio a LED in prossimità di sostanze infiammabili, esplosive o reattivi. L'apparecchio a LED può raggiungere temperature di 40°C.
- Non utilizzare vaporizzatori di zolfo o d'acqua.
- L'installazione e l'utilizzo dell'apparecchio a LED è responsabilità dell'utente finale. L'uso o installazione non corretta possono portare a difetti e danni al dispositivo a LED. Danni al supporto LED e alla circuiteria elettronica come conseguenza di installazione e utilizzo incorretti comporta la revoca della garanzia.

5. CONTENUTI

1x MANUALE

2x GANCI DEL CAVO METALLICO

**1x CONTROLLER
REGOLATORE DI INTENSITÀ
LUMINOSA 0-10V**

Si collega al cavo di controllo del regolatore di intensità luminosa sul driver.

1x DRIVER LED

Contiene connettori femmina di potenza in uscita e connettori femmina di dimmerazione e connettore maschio di ingresso dell'alimentazione

1x TELAIO DI SUPPORTO

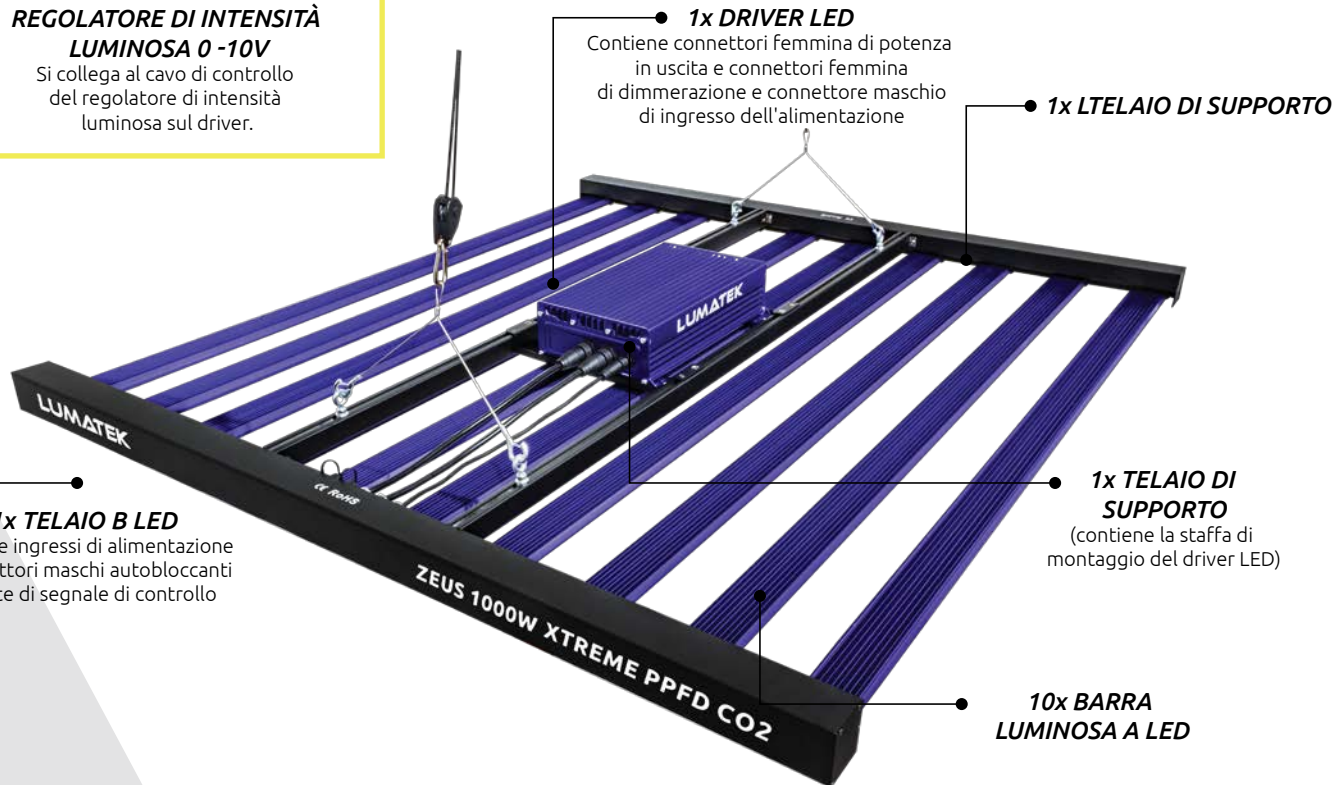
1x TELAIO B LED

Contiene ingressi di alimentazione e connettori maschi autobloccanti e porte di segnale di controllo

**1x TELAIO DI
SUPPORTO**

(contiene la staffa di montaggio del driver LED)

**10x BARRA
LUMINOSA A LED**



6. IINSTALLAZIONE

Avvertimento! Montare e installare l'apparecchio a LED in conformità con le leggi locali e i regolamenti applicabili.

Avvertimento! L'installatore è responsabile per l'installazione corretta e sicura.

Avvertimento! Assicurarsi che il cablaggio locale possa supportare i requisiti di tensione e corrente dell'apparecchio LED.

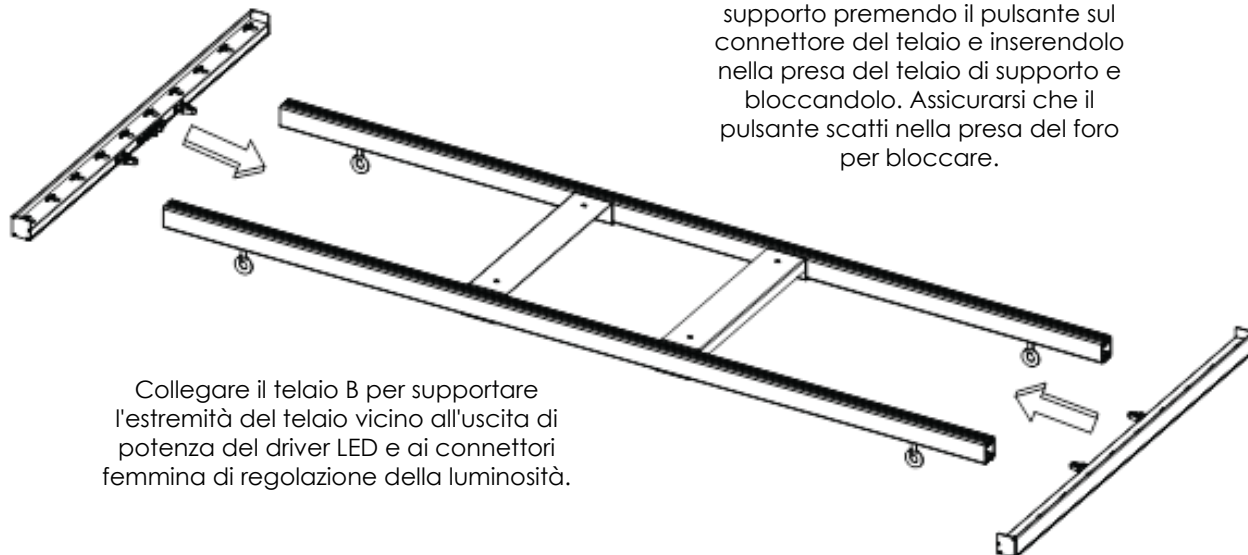
Avvertimento! Evitare cavi attorcigliati e mantenere cavi di alimentazione separati per prevenire le interferenze elettromagnetiche.

Avvertimento! Non collegare o scollegare l'apparecchio a LED quando sotto carico.

6.1 Assemblaggio e installazione del dispositivo

Fare attenzione durante l'assemblaggio dell'attrezzatura e assicurarsi che tutti i collegamenti siano veri e sicuri

6.1.1 Assembla il telaio

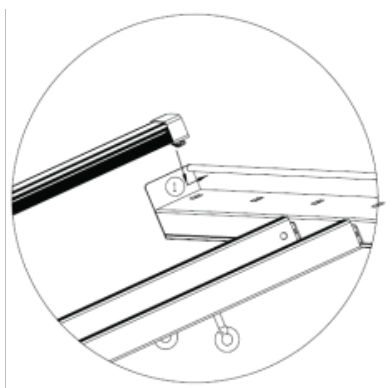


Collegare il telaio A e B al telaio di supporto premendo il pulsante sul connettore del telaio e inserendolo nella presa del telaio di supporto e bloccandolo. Assicurarsi che il pulsante scatti nella presa del foro per bloccare.

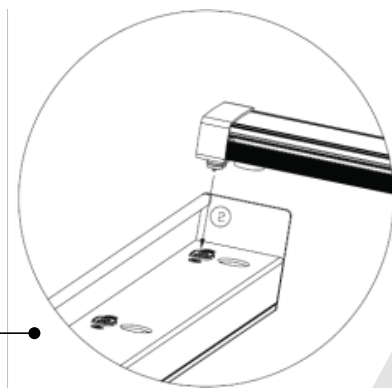
Collegare il telaio B per supportare l'estremità del telaio vicino all'uscita di potenza del driver LED e ai connettori femmina di regolazione della luminosità.

Notare la direzione durante l'installazione; la staffa di montaggio del conduttore LED si trova nella parte superiore quando l'apparecchio è appeso.

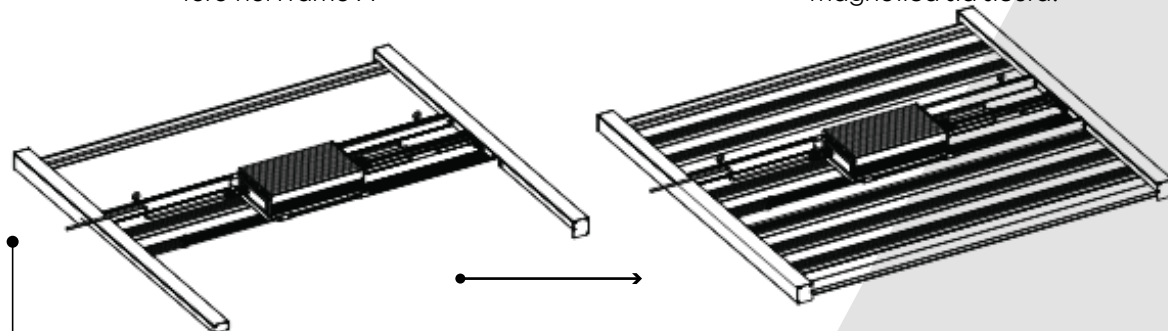
6.2 Collega le barre luminose a LED



Assicurati che il driver sia fissato e capovolgilo in modo che il driver sia ora sotto. Inserisci la fine della barra luminosa con il gancio nel quadrato foro nel Frame A



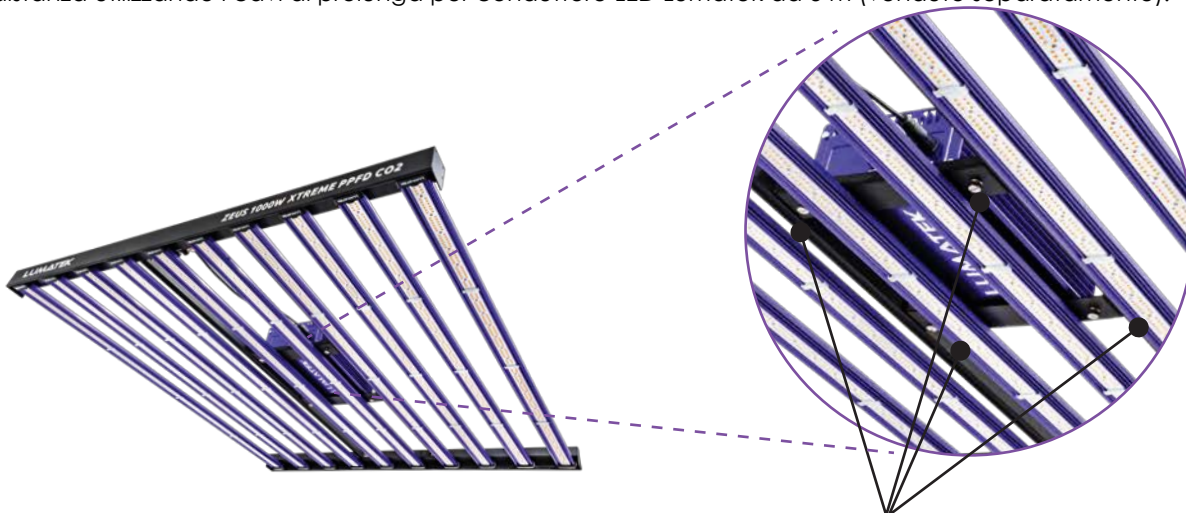
Quindi inserire l'altra estremità; allineare il foro rotondo sul Frame B con l'estremità magnetica della barra luminosa e inserire il pin maschio nella presa femmina. Verificare che la connessione magnetica sia sicura.



Assemblare il resto delle barre luminose nel telaio del dispositivo come mostrato nella figura sopra.

6.3 Collega e scollega il driver

Il conduttore LED è fissato alla staffa di montaggio con quattro viti di ritenzione attraverso la staffa nella piastra di base del conduttore. Per una maggiore flessibilità il driver può essere scollegato dall'apparecchio e utilizzato a distanza utilizzando i cavi di prolunga per conduttore LED Lumatek da 5 m (venduto separatamente).



Viti di fissaggio per il montaggio dei connettori per LED

Per collegare l'uscita del conduttore e la regolazione della luminosità all'apparecchio; assicurarsi che i connettori maschio autobloccanti di potenza e regolazione della luminosità siano correttamente allineati con i corrispondenti connettori femmina del conduttore e spingere insieme fino a quando non si blocca a scatto. Per scollegare; girare il connettore maschio in senso antiorario per sbloccarlo e staccarlo dalla femmina.

6.4 Cambio e sostituzione delle barre luminose e uso modulare

Sono disponibili all'acquisto barre luminose individuali da 100W per sostituzioni o con differenti rapporti spettrali per regolare l'uscita spettrale dell'apparecchio. Il design modulare dell'apparecchio a LED utilizza un driver LED intelligente che può diminuire o aumentare la potenza per uguagliare automaticamente la quantità di barre luminose da 100W installate sull'apparecchio. Se non tutte le barre luminose sono necessarie, il conduttore assorbirà solo la potenza necessaria per la quantità di barre luminose collegate, ad esempio se sono collegate sei barre luminose, il conduttore assorbirà solo 600W per alimentarele'.

Attenzione! Almeno una barra luminosa deve essere installata nell'apparecchio prima dell'accensione.

6.5 Installare l'apparecchio

Avvertimento! Montare il sistema su qualcosa in grado di supportare il peso dell'apparecchio a LED.

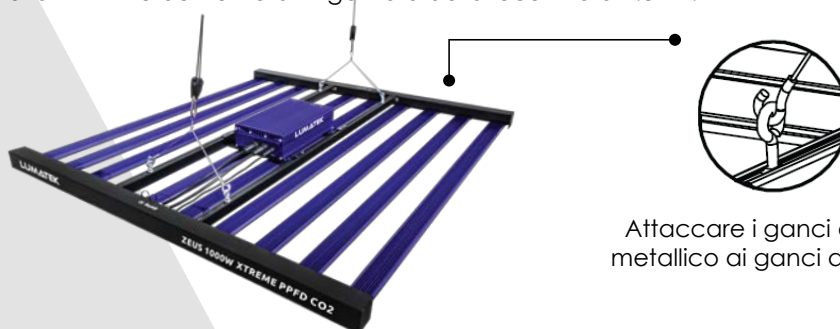
Assicurarsi che tutte le barre luminose siano installate correttamente e siano stabili. Girare delicatamente l'apparecchio e fissare i ganci del cavo metallico ai ganci di montaggio. Appendere l'apparecchio nella posizione e altezza desiderate. Posizionare l'apparecchio a 50cm – 1m al di sopra della chioma della pianta. Assicurarsi che il dispositivo sia appeso orizzontalmente.

Per altezze di sospensione più brevi (50 cm) dal baldacchino della pianta e un'impronta di 1,5m²; anidride carbonica supplementare (CO₂) è raccomandato in modo che le piante possano fotosintetizzare il PPFd di altissimo livello prodotto a questa altezza.

Per PPFd oltre 1000µmol/s/m² fino a max 1500µmol/s/m² supplemento CO₂ con un rapporto di 1:1 è raccomandato, cioè a 1500µmol/s/m² PPFd supplemento CO₂ a 1500ppm è consigliato.

Attenzione! Esposizione di colture ad altissimi PPFd senza supplemento CO₂ può essere dannoso per la crescita delle piante.

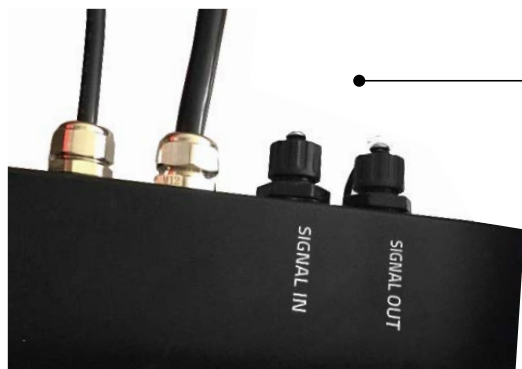
L'apparecchio a LED può essere utilizzato senza supplemento CO₂ ad altezze di sospensione maggiori (1m+) in quanto questo diminuirà il PPFd e aumenterà l'ingombro della luce fino a 1.8m².



Attaccare i ganci del cavo metallico ai ganci di fissaggio

6.6 Collegamento del variatore di luminosità manuale o del controllore di illuminazione esterno

Il controllo del variatore di luminosità o il controllore dell'illuminazione è collegato al connettore Signal IN dell'apparecchio. Ciò consente di regolare l'intensità luminosa (uscita PPF) in base alle necessità. L'intensità della luce della lampada a LED può essere regolata senza variare la distribuzione spettrale o perdere efficienza.



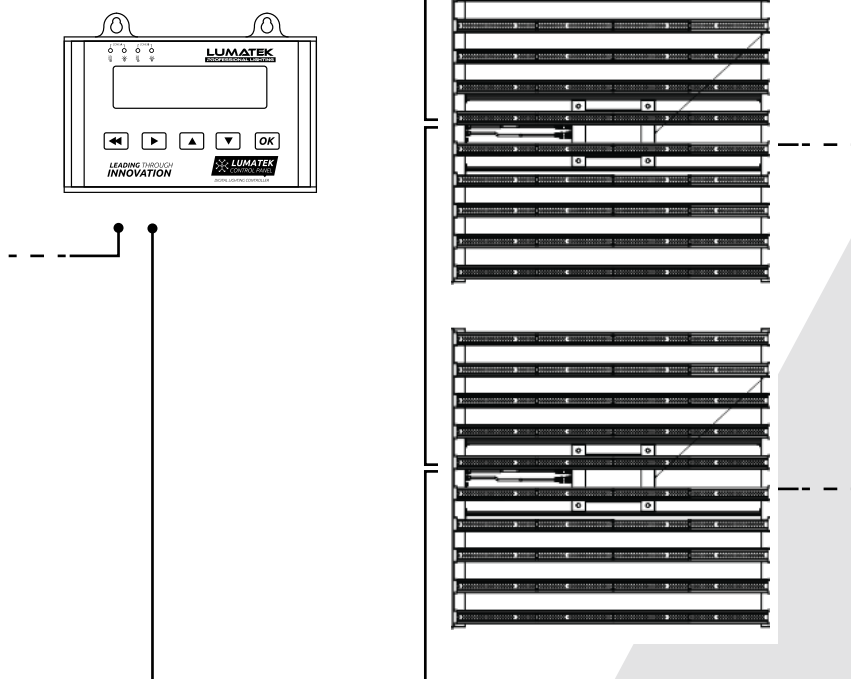
Collegare il cavo dimmer manuale o il cavo del controller di illuminazione alla porta SIGNAL IN.

6.7 Collegare apparecchi in serie per il controllo esterno

Per istruzioni dettagliate fare riferimento al manuale Pannello di controllo Lumatek.

Posizionare e appendere ogni apparecchio in modo appropriato. Gli apparecchi della serie Zeus utilizzano il protocollo di segnale 0-10 V per il controllo.

Collegare il cavo del segnale di uscita del controller al connettore SIGNAL IN dell'apparecchiatura 1. Collegare il cavo del segnale dal connettore SIGNAL OUT del dispositivo 1 al connettore SIGNAL IN del dispositivo 2. Continuare a collegare gli apparecchi in serie per un massimo di 100 apparecchi per controller, vedere la Fig.



6.8 Collegare l'apparecchio a LED alla rete

Avvertimento! Assicurarsi che l'alimentazione di rete sia spenta.

Avvertimento! Assicurarsi che il cavo di alimentazione non sia attorcigliato e non sia in contatto con superfici calde.

Avvertimento! Collegare i cavi in base alle leggi locali, norme di sicurezza e codice elettrico.

Attenzione! Se non si utilizza un controllore di illuminazione esterno, assicurarsi che i dispositivi di commutazione esterni siano in grado di far fronte alla corrente di spunto dell'apparecchio LED. Utilizzare sempre un interruttore a tempo adatto alla commutazione di un carico capacitivo. Non utilizzare mai timer domestici per commutare l'apparecchio a LED!

Avvertimento! Non collegare o scollegare l'apparecchio a LED sotto carico.

Assicurarsi che il connettore femmina autobloccante del cavo di alimentazione del conduttore del LED sia correttamente allineato al corrispondente connettore maschio del conduttore e spingere insieme fino a quando non si blocca con un clic.

Per scollegare; girare il connettore femmina in senso antiorario per sbloccarlo e staccarlo dal conduttore.

Collegare la spina di alimentazione di rete al commutatore/alimentatore.
Accendere la rete elettrica.

7. PRECAUZIONI QUANDO SI UTILIZZA L'APPARECCHIO A LED

Avvertimento! Assicurarsi sempre che almeno una barra luminosa sia collegata all'apparecchio prima dell'accensione. Lo Zeus sistema ha un driver LED intelligente che aumenta o diminuisce la potenza per adattarsi alla quantità di barre luminose collegate al sistema.

Avvertimento! Attendere sempre 20 - 30 minuti per consentire alle barre luminose a LED di raffreddarsi.

8. ISPEZIONE, MANUTENZIONE E RIPARAZIONE

Avvertimento! Scollegare l'apparecchio dalla rete LED prima di eseguire qualsiasi intervento di manutenzione o riparazione.

Avvertimento! Non collegare o scollegare l'apparecchio a LED sotto carico.

Avvertimento! Non aprire o smontare l'apparecchio a LED, non contiene parti riparabili. L'apertura del dispositivo a LED può essere pericoloso e invalidare la garanzia.

Avvertimento! Attendere sempre 20 - 30 minuti per consentire alle barre luminose a LED di raffreddarsi.

Attenzione! Non pulire l'apparecchio a LED con detergenti, abrasivi o altre sostanze aggressive.

Regularly check the LED fixture for dust or dirt build up. Clean if necessary. Contamination may cause overheating and decreased performance. Clean the outside of the LED fixture using a dry or damp cloth.

Regularly check the cables of the LED fixture to ensure it is undamaged.

9. CONSERVAZIONE E SMALTIMENTO

Conservare l'apparecchio a LED in un ambiente asciutto e pulito, con una temperatura ambiente di 25°C - 55°C. Il prodotto non deve essere smaltito come rifiuto indifferenziato ma devono essere raccolti separatamente ai fini del trattamento, recupero e smaltimento ecologico.

10. GARANZIA

Lumatek Ltd garantisce che i componenti meccanici ed elettronici del loro prodotto siano privo di difetti di materiali e lavorazione, se usato in condizioni operative normali, per un periodo di cinque (5) anni dalla data di acquisto. Se il prodotto mostra eventuali difetti entro questo periodo e il difetto non è imputabile a un errore o uso improprio dell'utente Lumatek Ltd procede, a sua discrezione, a sostituire o a riparare il prodotto utilizzando opportuni prodotti nuovi o prodotti o parti rigenerati. Nel caso in cui Lumatek Ltd decida di sostituire l'intero prodotto, questa garanzia limitata si applicherà al prodotto di sostituzione per il periodo rimanente della copertura, vale a dire cinque (5) anni dalla data di acquisto del prodotto originale. Per assistenza tecnica; restituire il prodotto al tuo negozio con la ricevuta di acquisto originale.ice; return the product to your shop with the original sales receipt.

LUMATEK
PROFESSIONAL LIGHTING



Per ulteriori informazioni
sui prodotti Lumatek
visita www.lumatek-lighting.com

LUMATEK ZEUS 1000W XTREME PPFD CO2 LED MANUEL

FRANÇAIS

TABLE DES MATIÈRES

1. **Introduction**
2. **Description du produit**
3. **Informations sur le produit et spécifications**
 - 3.1 Informations générales sur le produit
 - 3.2 Spécifications techniques
 - 3.3 Dimensions de la lampe
 - 3.4 Graphique de spectre
 - 3.5 Courbe de distribution de la lumière
 - 3.6 Environnement
 - 3.7 Légal
4. **Recommandations de sécurité et avertissements**
5. **Contenu**
6. **Installation**
 - 6.1 Assembler le cadre
 - 6.2 Connecter le pilote
 - 6.3 Connecter les barres lumineuses LED
 - 6.4 Remplacement et changement des barres lumineuses
 - 6.5 Installer le luminaire
 - 6.6 Raccordement du variateur manuel
 - 6.7 Appareils de connexion en série pour le contrôle externe
 - 6.8 Connexion du luminaire LED au secteur
7. **Précautions lors de l'utilisation du luminaire LED**
8. **Inspection, maintenance et réparation**
9. **Stockage et élimination**
10. **garantie**

1. INTRODUCTION

Merci d'avoir acheté le luminaire LED Lumatek 1000W Xtreme PPFd CO² linéaire multi-lumière à barre. Ce manuel décrit comment installer et utiliser le luminaire Zeus Xtreme ; veuillez lire attentivement ce manuel avant toute tentative d'installation ou d'utilisation d'un système Lumatek Zeus Series. Connectez et déconnectez le pilote

2. DESCRIPTION DU PRODUIT

Le modèle Lumatek Zeus 1000W Xtreme PPFd CO² LED est un luminaire électronique LED pour l'horticulture qui utilise un design à matrice linéaire avec dix barres lumineuses de 100W. Le modèle Zeus Xtreme est une solution d'éclairage de pointe à cycle complet très performante pour la culture horticole commerciale, avec la puissance et la flexibilité nécessaires pour passer de la croissance végétative à des intensités lumineuses plus élevées pendant la floraison.

Conçu pour être utilisé dans un environnement enrichi en CO², le Zeus Xtreme LED peut être placé plus près du couvert végétal pour des niveaux de PPFd très élevés qui nécessitent un supplément de dioxyde de carbone (CO²) pour que les cultures puissent être pleinement utilisées pour la photosynthèse.

Le Zeus Xtreme LED peut être utilisé sans supplément de CO² mais doit être positionné à une plus grande hauteur de suspension du couvert végétal, ce qui augmente l'empreinte lumineuse mais réduit le niveau de PPFd.

Dans ce manuel, la LED Lumatek Zeus 1000W Xtreme PPFd CO² sera désignée par le terme "Lumatek Zeus 1000W Xtreme PPFd" : "le luminaire LED".

3. INFORMATIONS ET SPÉCIFICATIONS SUR LE PRODUIT

3.1 Informations générales sur le produit

| | |
|-----------------|--|
| NOM DU PRODUIT | Lumatek Zeus 1000W XTREME PPFd CO ² LED |
| NUMÉRO DE PIÈCE | LUMLED003 |
| FABRICANT | Lumatek EU |
| EAN | 5060560031185 |
| TYPE DE PRISE | UK/EU |

3.2 Spécifications techniques

| | |
|--|--|
| PPF | 2925 µmol/s |
| EFFICACITÉ | jusqu'à 2.9 µmol/J |
| SPECTRE | Spectre complet F |
| SOURCE LUMINEUSE | spécification plus élevée LUMILEDS (W) & Osram (R) LED |
| DIMENSIONS (LxWxH) | 1182 x 1091 x 106mm |
| POIDS | 18Kg |
| DURÉE DE VIE | >60000H |
| TEMPÉRATURE DE FONCTIONNEMENT | -20°C -- +40°C |
| TAUX D'HUMIDITÉ ACCEPTÉ | 20% - 90% |
| RÉSISTANCE À L'EAU/POUSSIÈRE | IP65 |
| ANGLE DE RAYONNEMENT | 120° |
| VARIATION MANUELLE/ CONTRÔLEUR DE LAMPE EXTERNE | Protocole de signal 0-10V |

TENSION D'ENTRÉE (V)

VMAINS=230V 50/60HZAC

| RAPPORT DE GRADATION | PUISSANCE D'ENTRÉE (W) | COURANT D'ENTRÉE (A) |
|----------------------|------------------------|----------------------|
| 100% | 1075 | 4,85 |
| 75% | 808 | 3,66 |
| 50% | 520 | 2,42 |
| 25% | 260 | 1,33 |

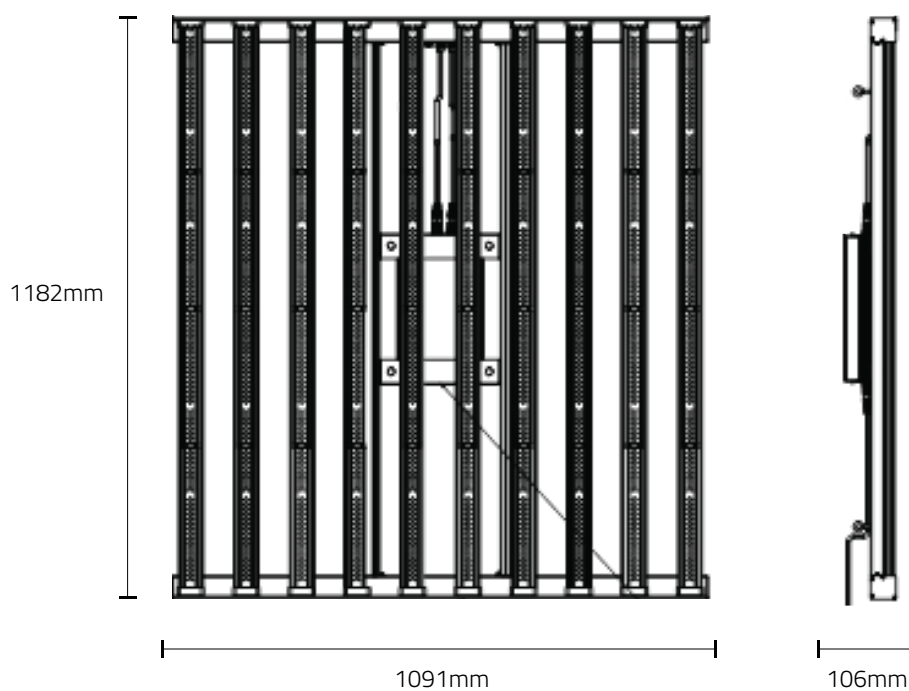
VMAINS=240V 50/60HZAC

| RAPPORT DE GRADATION | PUISSANCE D'ENTRÉE (W) | COURANT D'ENTRÉE (A) |
|----------------------|------------------------|----------------------|
| 100% | 1075 | 4,67 |
| 75% | 806 | 3,53 |
| 50% | 519 | 2,35 |
| 25% | 260 | 1,29 |

VMAINS=277V 50/60HZAC

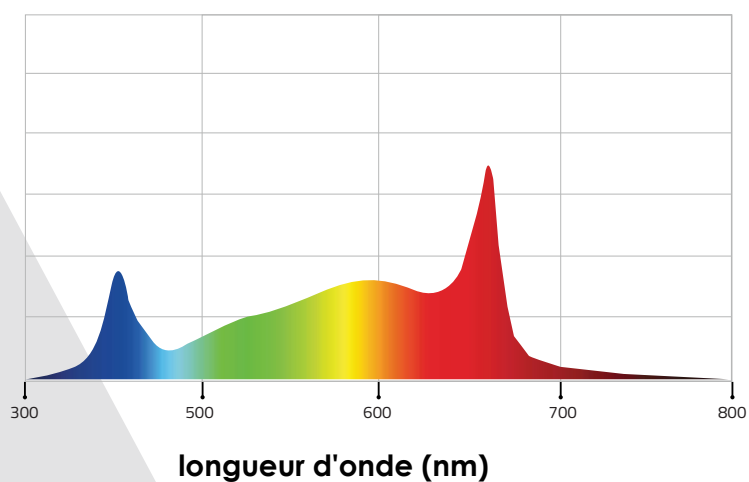
| RAPPORT DE GRADATION | PUISSANCE D'ENTRÉE (W) | COURANT D'ENTRÉE (A) |
|----------------------|------------------------|----------------------|
| 100% | 1075 | 4,13 |
| 75% | 806 | 3,14 |
| 50% | 520 | 2,11 |
| 25% | 263 | 1,2 |

3.3 Dimensions de la lampe

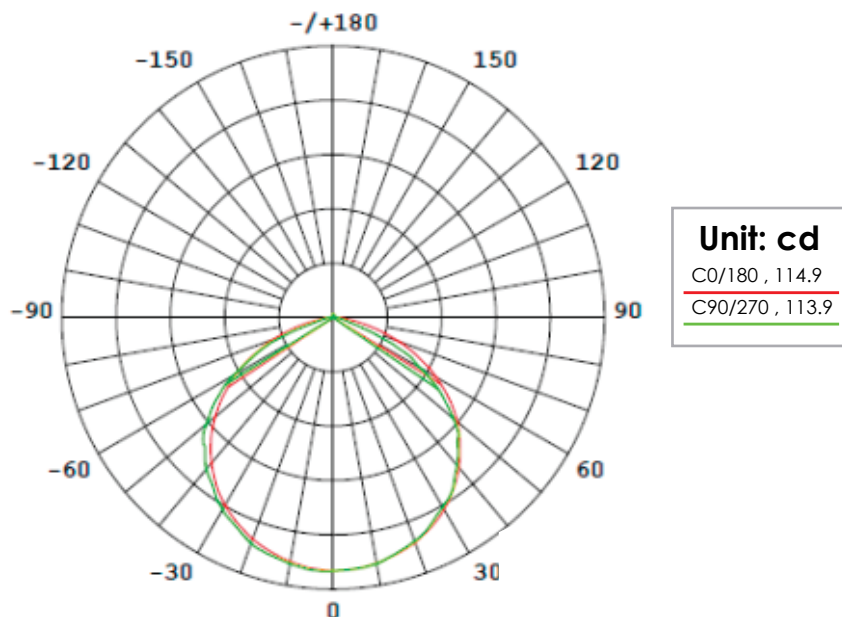


3.4 Spectre

Spectre complet



3.5 Courbe de distribution lumineuse



3.6 Environnement

Le luminaire LED est destiné à être utilisé dans les salles de culture et les fermes intérieures à climat contrôlé. Le produit peut être utilisé dans des lieux humides mais ne doit pas être utilisé dans des lieux mouillés ou à l'extérieur. Ce produit fonctionnera dans des températures se situant entre -20°C et 40°C mais fonctionne de façon optimale entre 20°C et 30°C.

Le produit fonctionnera dans un taux d'humidité de 20% à 90%, sans condensation.

3.7 Informations légales

Ce produit est certifié CE et UKCA conforme aux normes de test des directives LVD et EMC.

4. RECOMMANDATIONS ET AVERTISSEMENTS DE SÉCURITÉ

Avertissement ! Veuillez lire attentivement les avertissements ci-dessous avant d'utiliser ou de mettre en marche le produit !

- Référez-vous toujours aux règles et réglementations locales avant d'installer ou d'utiliser cette lampe LED.
- N'ouvrez pas et ne démontez pas la lampe LED car elle contient des pièces non remplaçables à l'intérieur. L'ouverture ou la modification de la lampe LED peut être dangereux et révoquera la garantie.
- N'utilisez pas cette lampe LED si celle-ci ou le câble d'alimentation sont endommagés. Remplacez le câble d'alimentation uniquement par des câbles d'alimentation certifiés.
- Les modifications apportées aux câbles peuvent engendrer des effets électromagnétiques non désirés, qui peuvent rendre le fonctionnement du produit non adéquat aux conditions légales.
- N'exposez pas cette lampe LED à:
 - De l'humidité condensée, la brume épaisse ou un spray direct;
 - Des températures ambiantes excédant celles spécifiées;
 - De la poussière et la pollution;
 - De la lumière du soleil ou de la lumière HID qui pourraient conduire à la surchauffe du transformateur.

- Déconnectez toujours la lampe LED de l'alimentation avant d'effectuer quelconque maintenance.
- Laissez toujours refroidir la lampe LED pendant une période d'au moins 20-30 minutes avant de toucher les barres lumineuses LED. Toucher les barres lumineuses lorsque celles-ci sont chaudes peut engendrer de sévères brûlures !
- La convection naturelle retire la chaleur du dissipateur. Afin que le système puisse bien se refroidir de façon autonome, un espace de 5cm minimum est requis entre la lampe et le toit de votre zone de culture.
- N'utilisez pas de matériaux abrasifs ou de produits de nettoyage agressifs pour nettoyer la lampe LED car cela pourrait endommager les optiques secondaires. Utilisez un chiffon/tissu propre et sec à la place.
- N'utilisez pas la lampe LED proche de substances inflammables, explosives ou réactives. Cette lampe LED peut atteindre une température de 40°C.
- N'utilisez pas de vaporisateurs de sulfure ou de brumisateurs.
- L'installation et l'utilisation de la lampe LED est la responsabilité de l'utilisateur final. L'utilisation ou l'installation incorrecte de cette lampe LED peut engendrer sa défaillance ou son endommagement. L'endommagement de la lampe LED et du circuit électronique résultant d'une installation et/ou d'une utilisation incorrecte du produit révoquera sa garantie.

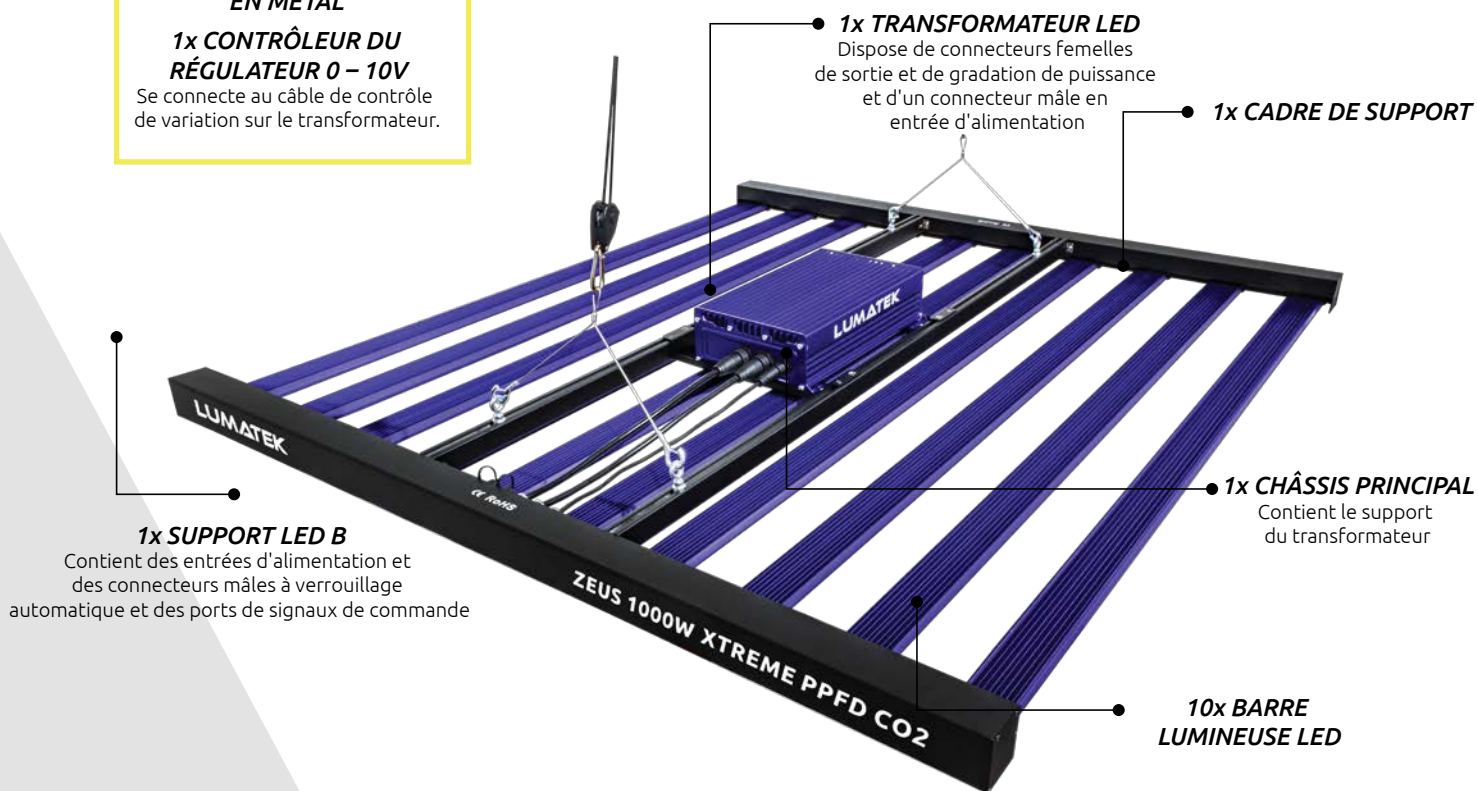
5. CONTENU

1x MANUEL

**2x Câbles d'attache
en métal**

**1x CONTRÔLEUR DU
RÉGULATEUR 0 – 10V**

Se connecte au câble de contrôle de variation sur le transformateur.



1x TRANSFORMATEUR LED

Dispose de connecteurs femelles de sortie et de gradation de puissance et d'un connecteur mâle en entrée d'alimentation

1x CADRE DE SUPPORT

1x SUPPORT LED B

Contient des entrées d'alimentation et des connecteurs mâles à verrouillage automatique et des ports de signaux de commande

1x CHÂSSIS PRINCIPAL

Contient le support du transformateur

**10x BARRE
LUMINEUSE LED**

6. INSTALLATION

Attention ! Le montage et l'installation de la lampe LED doivent respecter les règles et réglementations locales.

Attention ! L'installateur est responsable de l'installation correcte et sécurisée du produit.

Attention ! Assurez-vous que le câblage puisse supporter la tension et le courant requis par la lampe LED.

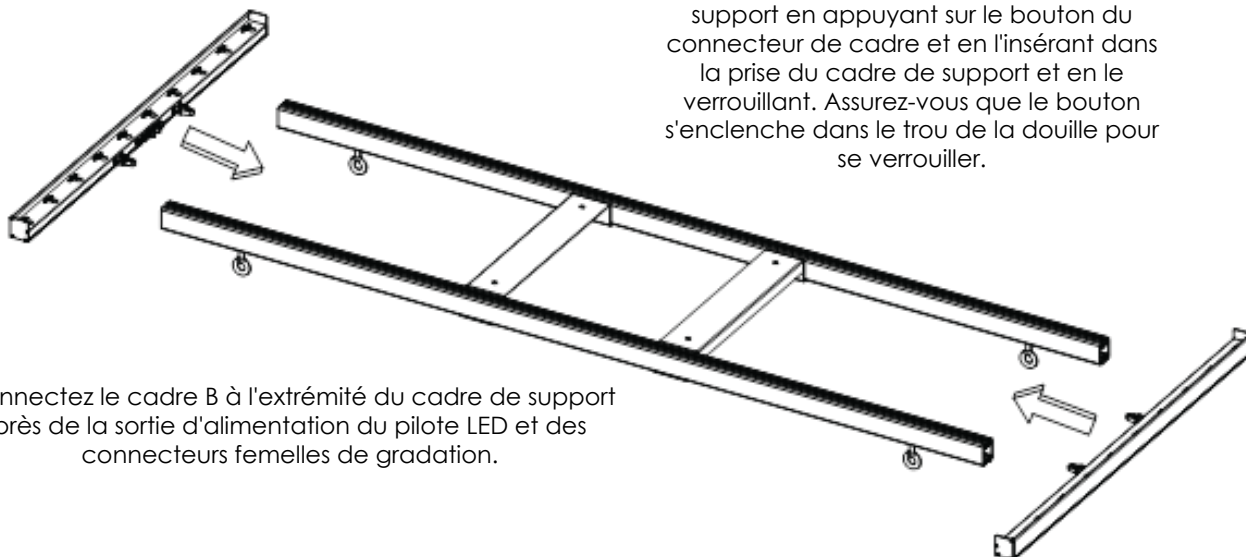
Attention ! Évitez les câbles enroulés et gardez les câbles électriques séparés afin d'éviter les interférences électromagnétiques.

Attention ! Ne connectez ou déconnectez pas la lampe LED sous tension.

6.1 Assemblage et installation de luminaires

Veillez faire attention lors de l'assemblage du luminaire et assurez-vous que toutes les connexions sont vraies et sécurisées

6.1.1 Assemblez le cadre

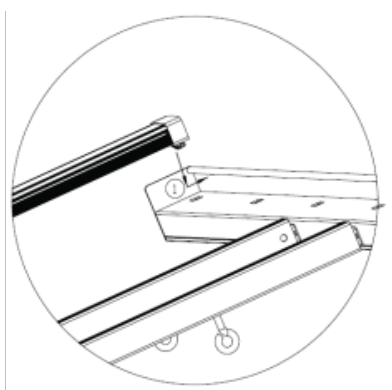


Connectez les cadres A et B au cadre de support en appuyant sur le bouton du connecteur de cadre et en l'insérant dans la prise du cadre de support et en le verrouillant. Assurez-vous que le bouton s'enclenche dans le trou de la douille pour se verrouiller.

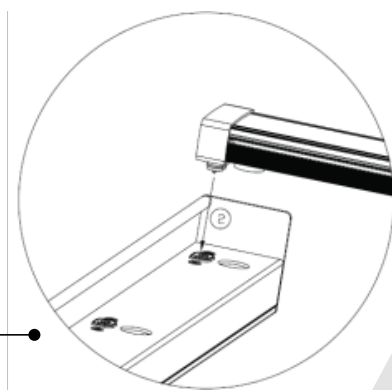
Connectez le cadre B à l'extrémité du cadre de support près de la sortie d'alimentation du pilote LED et des connecteurs femelles de gradation.

Notez la direction lors de l'installation ; le support de montage du pilote LED est en haut lorsque le luminaire est suspendu.

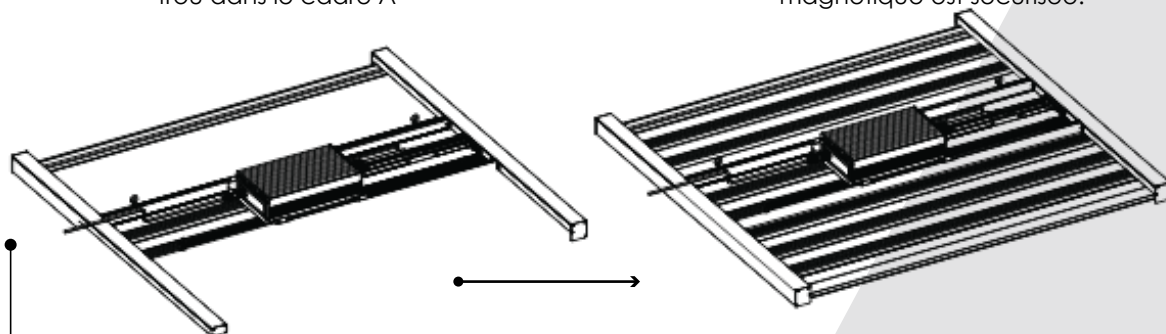
6.2 Connectez les barres lumineuses LED



Assurez-vous que le pilote est sécurisé et retournez le projecteur pour que le pilote soit maintenant en dessous. Insérez la fin de la barre lumineuse avec le crochet dans le carré trou dans le cadre A



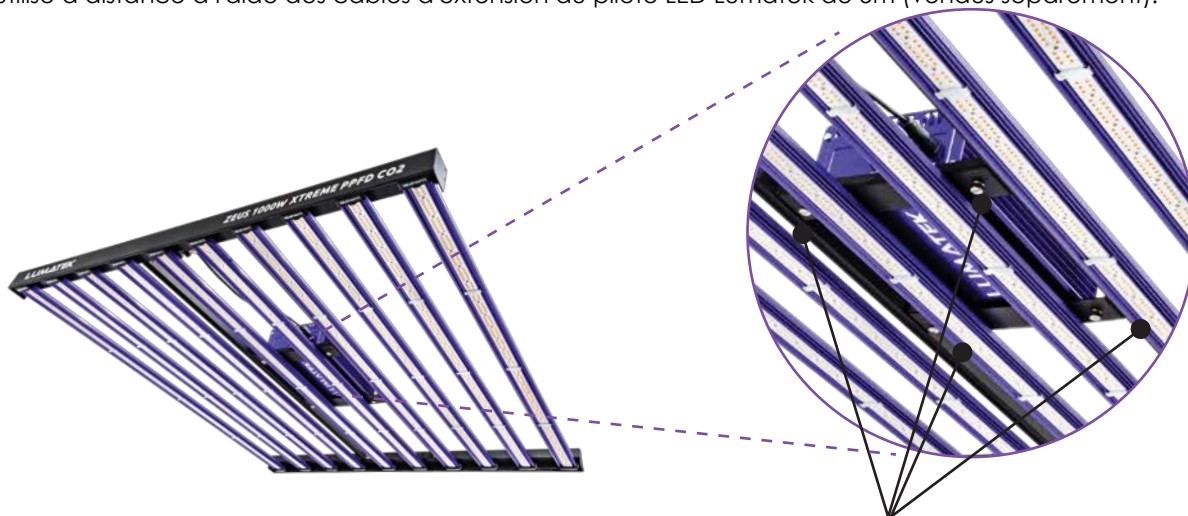
Insérez ensuite l'autre extrémité; aligner le trou rond sur l'image B avec l'extrémité magnétique de la barre lumineuse et insérez la broche mâle dans la prise femelle. Assurez-vous que la connexion magnétique est sécurisée.



Assemblez le reste des barres lumineuses dans le cadre du luminaire comme indiqué sur la figure ci-dessus.

6.3 Connectez et déconnectez le pilote

Le pilote LED est fixé au support de montage à l'aide de quatre vis de retenue qui traversent le support pour aller dans la plaque de base du pilote. Pour une plus grande flexibilité, le driver peut être déconnecté de l'appareil et utilisé à distance à l'aide des câbles d'extension du pilote LED Lumatek de 5m (vendus séparément).



Connectez et déconnectez le pilote

Pour connecter la sortie du pilote et la gradation à l'appareil, assurez-vous que les connecteurs mâles autobloquants de l'alimentation et de la gradation sont correctement alignés avec les connecteurs femelles correspondants du pilote et poussez-les l'un vers l'autre jusqu'à ce qu'ils se verrouillent.

Pour déconnecter, tournez le connecteur mâle dans le sens inverse des aiguilles d'une montre pour le déverrouiller et séparez-le du connecteur femelle.

6.4 Changement et remplacement des barres lumineuses et utilisation modulaire

La conception modulaire du luminaire LED utilise un pilote LED intégré smart qui peut automatiquement diminuer ou augmenter la puissance pour correspondre à la quantité de barres lumineuses de 100W installées sur le luminaire. Si toutes les barres lumineuses ne sont pas nécessaires, le pilote ne consommera que la puissance nécessaire pour la quantité de barres lumineuses connectées. Par exemple, si six barres lumineuses sont connectées, le pilote ne consommera que 600 W pour les alimenter.

Avertissement ! Au moins une barre lumineuse doit être installée dans le luminaire avant de l'allumer.

6.5 Installation de la lampe

Attention ! Montez le système sur un support pouvant supporter le poids de la lampe LED.

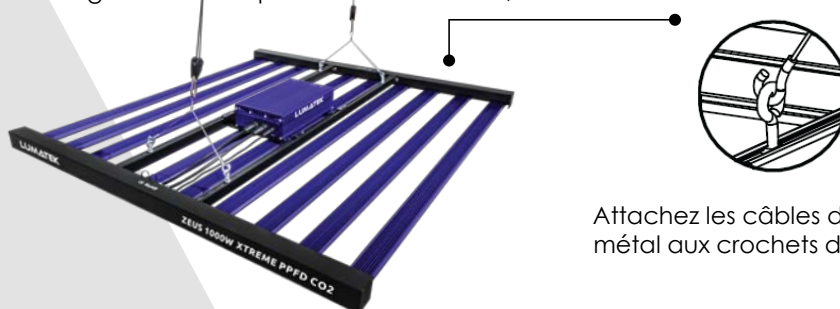
Assurez-vous que toutes les barres lumineuses soient correctement installées, de façon sécurisée. Retournez soigneusement la lampe et attachez les câbles d'attache en métal aux crochets de montage. Accrochez la lampe à la bonne hauteur et dans la position requise. Positionnez la lampe 50cm – 1m au-dessus de la couverture végétale. Assurez-vous que la lampe soit bien suspendue horizontalement.

Pour des hauteurs de suspension plus réduites (50 cm) par rapport au couvert végétal et une empreinte de 1,5 m², il est recommandé d'ajouter du dioxyde de carbone (CO₂) afin que les plantes puissent photosynthétiser le PPFd de très haut niveau produit à cette hauteur.

Pour les PPFd de plus de 1000µmol/s/m² jusqu'à 1500µmol/s/m² maximum, un supplément de CO₂ à un rapport de 1:1 est recommandé, c'est-à-dire à 1500µmol/s/m², un supplément de CO₂ à 1500ppm est conseillé.

Attention ! L'exposition des cultures à une PPFd ultra élevée sans supplément de CO₂ peut être préjudiciable à la croissance des plantes.

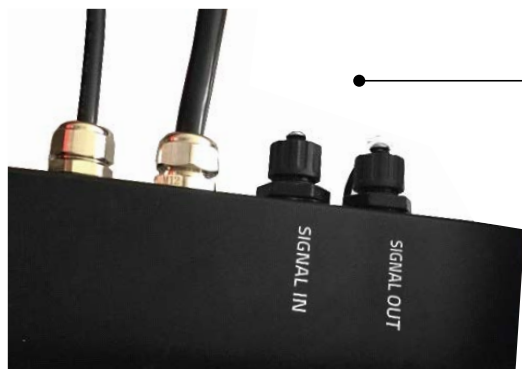
Le luminaire LED peut être utilisé sans supplément de CO₂ à des hauteurs de suspension plus importantes (1m+) car cela réduira la PPFd et augmentera l'empreinte lumineuse à 1,8m².



Attachez les câbles d'attache en métal aux crochets de montage.

6.6 Connection du gradateur manuel ou du contrôleur d'éclairage externe

La commande de gradateur ou le contrôleur d'éclairage est connecté au connecteur Signal IN du luminaire. Cela permet d'ajuster l'intensité lumineuse (sortie PPF) selon les besoins. L'intensité lumineuse de la lampe LED peut être ajustée sans changer la distribution de puissance spectrale et sans perdre en efficacité.



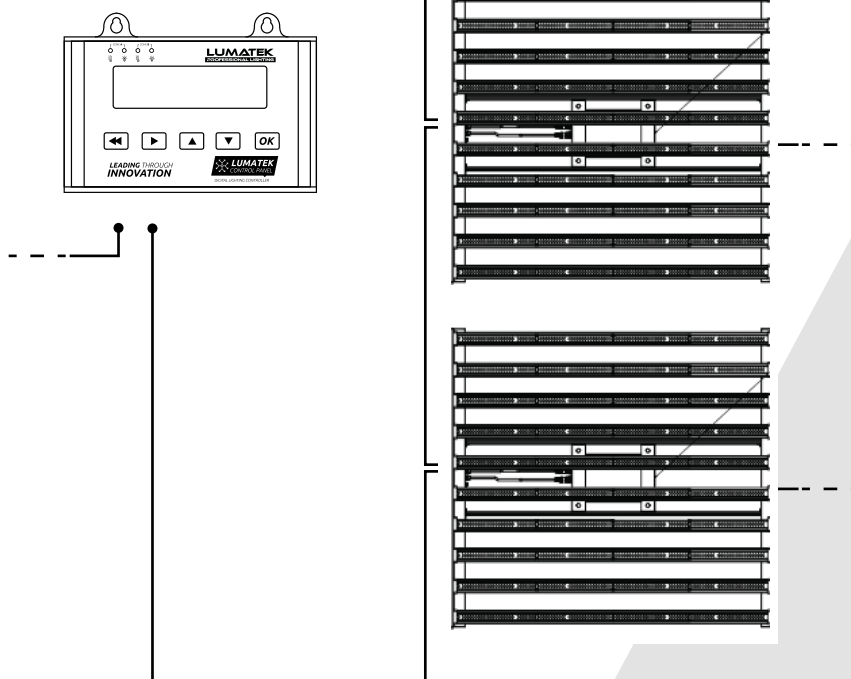
Connectez le câble du gradateur manuel ou le câble du contrôleur d'éclairage au port SIGNAL IN.

6.7 Connexion des lampes en série pour un contrôle externe

Pour des instructions détaillées, référez-vous au manuel du Panneau de contrôle Lumatek.

Positionnez et accrochez chaque lampe de façon appropriée. Les appareils de la série Zeus utilisent un protocole de signal 0-10 V pour le contrôle.

Connectez le fil du signal de sortie du contrôleur au connecteur SIGNAL IN du luminaire 1. Connectez le fil de signal du connecteur SIGNAL OUT du luminaire 1 au connecteur SIGNAL IN du luminaire 2. Continuez à connecter les appareils en série jusqu'à 100 appareils par contrôleur, voir Fig.



6.8 Connexion de la lampe LED à l'alimentation

Attention ! Assurez-vous que l'alimentation soit éteinte.

Attention ! Assurez-vous que le câble d'alimentation ne soit pas enroulé ou en contact avec aucune surface chaude.

Attention ! Connectez les câbles selon les règles locales, réglementations de sécurité et le code électrique.

Attention ! Si vous n'utilisez pas de contrôleur d'éclairage externe, assurez-vous que les appareils de commutation externes peuvent supporter le courant d'appel du luminaire LED. Utilisez toujours un contacteur de temporisation adapté à la commutation d'une charge capacitive. N'utilisez jamais de minuterie domestique pour commuter le luminaire LED !

Attention ! Ne connectez ou déconnectez pas la lampe LED sous tension.

Assurez-vous que le connecteur femelle autobloquant du câble d'alimentation du pilote LED est correctement aligné sur le connecteur mâle correspondant du pilote et poussez jusqu'à ce qu'il soit verrouillé. Pour le déconnecter, tournez le connecteur femelle dans le sens inverse des aiguilles d'une montre afin de le déverrouiller et séparez-le du pilote.

Branchez la fiche d'alimentation secteur à l'appareil de commutation/à l'alimentation électrique. Allumez le courant électrique.

7. PRÉCAUTIONS À PRENDRE LORS DE L'USAGE DE LA LAMPE LED

Attention ! Assurez-vous qu'il y est toujours au moins une barre lumineuse connectée à la lampe avant de l'allumer. La lampe Zeus système embarque un transformateur LED intelligent qui peut automatiquement détecter les variations de puissance afin de s'ajuster à la puissance des barres lumineuses connectées au système.

Attention ! Attendez toujours entre 20 et 30 minutes afin que les barres lumineuses LED refroidissent.

8. INSPECTION, MAINTENANCE ET RÉPARATION

Attention ! Déconnectez les 4 lampes LED de l'alimentation avant d'effectuer toute maintenance ou réparation.

Attention ! Ne connectez ou déconnectez pas la lampe LED sous tension.

Attention ! N'ouvrez pas et ne démontez pas la lampe LED car elle contient des pièces non remplaçables à l'intérieur. L'ouverture ou la modification de la lampe LED peut être dangereux et révoquera sa garantie.

Attention ! Attendez toujours entre 20 et 30 minutes afin que les barres lumineuses LED refroidissent.

Avertissement ! Ne nettoyez pas la lampe LED avec des détergents, produits abrasifs ou toute autre substance agressive.

Vérifiez régulièrement qu'il n'y est pas d'accumulation de poussière ou de saletés sur la lampe LED. Nettoyez-la si nécessaire. La pollution peut causer la surchauffe et une baisse de performances. Nettoyez l'extérieur de la lampe LED à l'aide d'un chiffon sec ou humide.

Vérifiez régulièrement que les câbles de la lampe LED ne soient pas endommagés.

9. STOCKAGE ET DISPOSITION

Placez la lampe LED dans un environnement sec et propre ayant une température ambiante située entre -25°C et 55°C. Le produit ne doit pas être jeté avec les ordures ménagères mais doit être collecté en déchèterie pour des raisons de traitement, récupération, et environnementales.

10. WARRANTY

Lumatek Ltd garantit que les composants mécaniques et électroniques de ses produits ne sont pas défectueux si utilisés dans des conditions normales durant une période de cinq (5) ans suivant la date d'achat initiale. Si le produit montre quelconque signe de défaillance durant sa période de garantie et que la défaillance n'est pas due à une erreur de l'utilisateur ou une mauvaise utilisation, Lumatek Ltd se doit de remplacer ou réparer le produit en utilisant des composants ou produits neufs ou reconditionnés adaptés. Dans le cas où Lumatek Ltd décide de remplacer totalement le produit, cette garantie limitée se doit d'être appliquée au produit de remplacement pour la période de garantie restante, qui est de cinq (5) ans suivant la date d'achat du produit initial. Pour cela, retournez le produit à votre magasin d'achat avec une facture originale.

LUMATEK
PROFESSIONAL LIGHTING



Pour plus d'informations sur
les produits Lumatek
visitez www.lumatek-lighting.com

LUMATEK ZEUS 1000W XTREME PPFD CO2 LED MANUÁL

ČEŠTINA

OBSAH

- 1. Introduction**
- 2. Úvod**
- 3. Informace o produktu a specifikace**
 - 3.1 Obecné informace o produktu
 - 3.2 Technické specifikace
 - 3.3 Technické specifikace
 - 3.4 Spektrální graf
 - 3.5 Křivka rozložení světla
 - 3.6 Životní prostředí
 - 3.7 Právní
- 4. Bezpečnostní doporučení a varování**
- 5. Obsah**
- 6. Instalace**
 - 6.1 Sestavte rámeček
 - 6.2 Připojte ovladač
 - 6.3 Připojte světelné lišty LED
 - 6.4 Výměna a výměna světelných pruhů
 - 6.5 Instalace příslušenství
 - 6.6 Připojení ručního ovládání stmívače
 - 6.7 Propojovací příslušenství v sérii pro externí ovládání
 - 6.8 Připojení LED svítidla do sítě
- 7. Opatření při používání LED svítidla**
- 8. Inspekce, údržba a opravy**
- 9. Skladování a likvidace**
- 10. Záruka**

1. ÚVOD

"Děkujeme, že jste si zakoupili Lumatek 1000W Xtreme PPFd CO² lineární LED svítidlo s více světelnými lištami. Tato příručka popisuje, jak nainstalovat a používat svítidlo Zeus Xtreme; před instalací nebo provozem jakéhokoli systému z řady Lumatek Zeus si prosím pečlivě přečtete tuto příručku. Pokud s instalací vysoce výkonných osvětlovacích systémů nejste spokojeni, měli byste vyhledat instalační služby kvalifikovaného profesionála.

2. POPIS PRODUKTU

"Lumatek Zeus 1000 W Xtreme PPFd CO² LED je elektronické hrotikulturní LED svítidlo s využitím designu lineárního pole s deseti 100W světelnými lištami. Zeus Xtreme je vysoce výkonné celocyklové špičkové řešení osvětlení pro komerční pěstičství, s výkonem a flexibilitou v rozsahu od vegetativního růstu po vyšší intenzitu světla v květu. Světlo je navrženo pro použití v CO² obohaceném prostředí.

Zeus Xtreme LED lze umístit blíže k vrchlíku rostliny díky velice vysoké úrovni PPFd, které si vyžadují doplňkový oxid uhličitý (CO²) aby plodiny plně využily fotosyntézy.

Zeus Xtreme LED lze používat bez doplňků, CO² ale v tom případě by mělo být umístěno ve větší výšce od vrchlíku rostliny, což zvyšuje stopu světla, ale snižuje hladinu PPFd.

V této příručce Lumatek Zeus 1000W Xtreme PPFd CO² LED bude označována jako: „LED svítidlo“.

3. INFORMACE O PRODUKTU A SPECIFIKACE

3.1 Obecné produktové informace

| | |
|----------------|--|
| JMÉNO PRODUKTU | Lumatek Zeus 1000W XTREME PPFd CO ² LED |
| ČÍSLO DÍLU | LUMLED003 |
| VÝROBCE | Lumatek EU |
| EAN | 5060560031185 |
| TYP ZÁSTRČKY | UK/EU |

3.2 Technické specifikace

| | |
|--|---|
| PPF | 2925 μ mol/s |
| ÚČINNOST | až k 2.9 μ mol/J |
| SPEKTRUM | Celé spectrum F |
| ZDROJ SVĚTLA | Vyšší spec LUMILEDS (W) & Osram (R) LED |
| ROZMĚRY (LxWxH) | 1182 x 1091 x 106mm |
| VÁHA | 18Kg |
| ŽIVOTNOST | >60000H |
| PRACOVNÍ TEPLOTA | -20°C -- +40°C |
| PRACOVNÍ VLHKOST | 20% - 90% |
| VODOTĚSNOST/ PRACHOTĚSNOST | IP65 |
| ÚHEL PAPRSKU | 120° |
| MANUÁLNÍ OVLADAČ STÍVÁNÍ / EXTERNÍHO OSVĚTLENÍ | 0-10V signální protokol |

VSTUPNÍ NAPĚTÍ (V)

VMAINS=230V 50/60HZAC

| POMĚR STMÍVÁNÍ | PŘÍKON (W) | VSTUPNÍ PROUD (A) |
|----------------|------------|-------------------|
| 100% | 1075 | 4,85 |
| 75% | 808 | 3,66 |
| 50% | 520 | 2,42 |
| 25% | 260 | 1,33 |

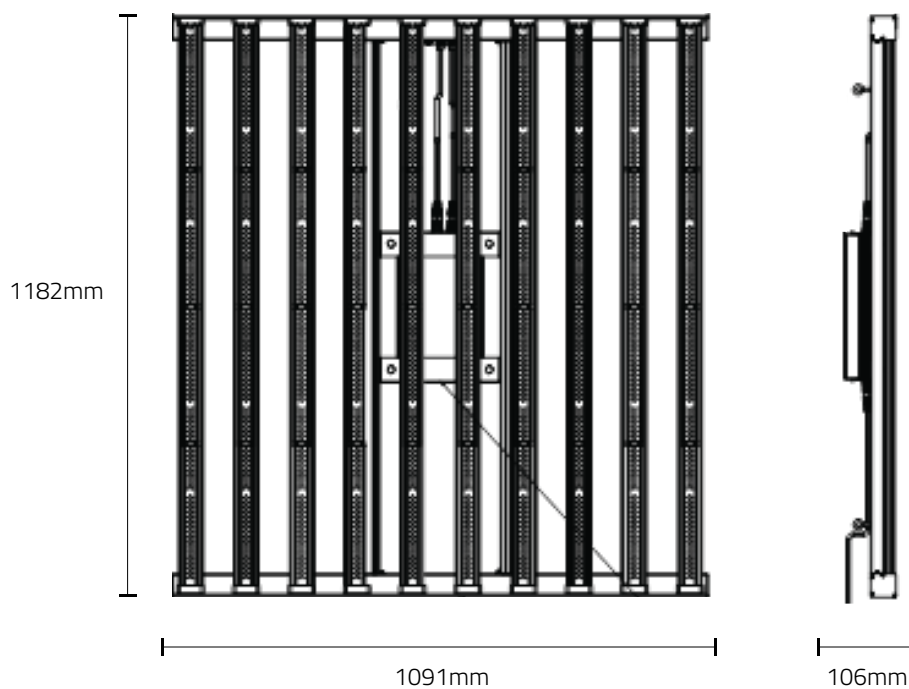
VMAINS=240V 50/60HZAC

| POMĚR STMÍVÁNÍ | PŘÍKON (W) | VSTUPNÍ PROUD (A) |
|----------------|------------|-------------------|
| 100% | 1075 | 4,67 |
| 75% | 806 | 3,53 |
| 50% | 519 | 2,35 |
| 25% | 260 | 1,29 |

VMAINS=277V 50/60HZAC

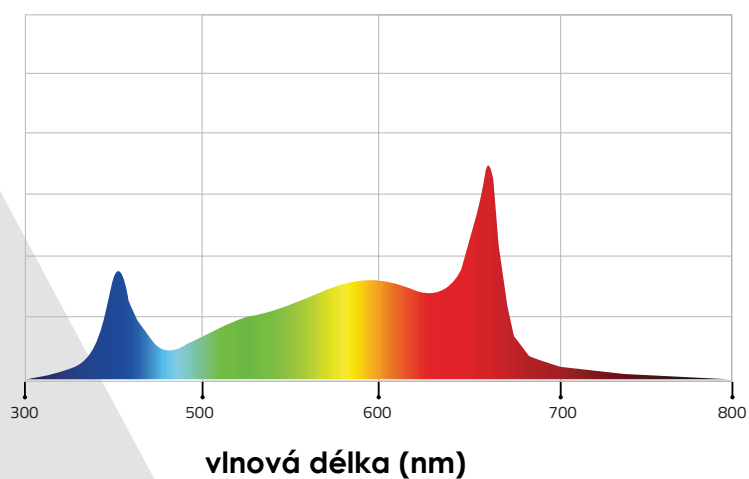
| POMĚR STMÍVÁNÍ | PŘÍKON (W) | VSTUPNÍ PROUD (A) |
|----------------|------------|-------------------|
| 100% | 1075 | 4,13 |
| 75% | 806 | 3,14 |
| 50% | 520 | 2,11 |
| 25% | 263 | 1,2 |

3.3 Rozměry světla

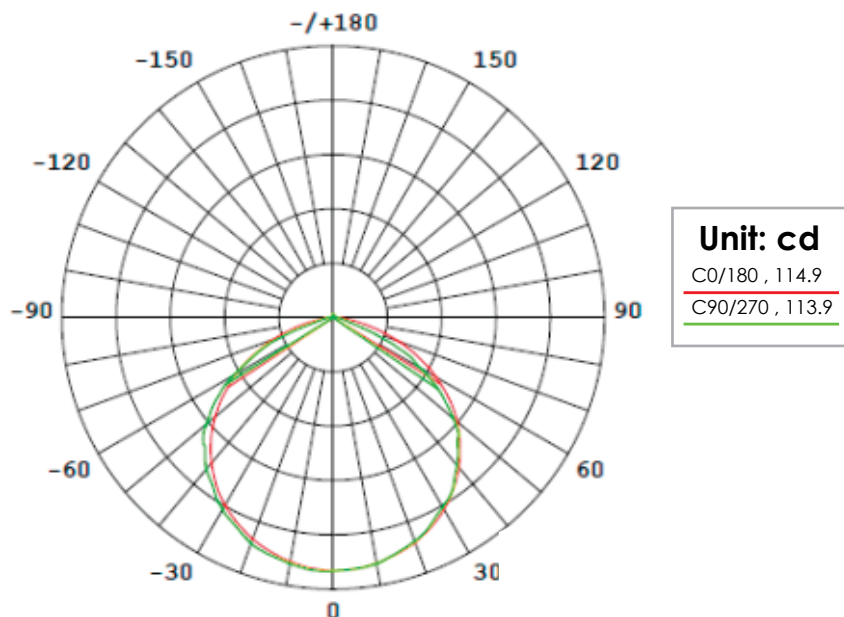


3.4 Spektra

Celé spektrum



3.5 Křivka distribuce světla



3.6 Prostředí

CO₂. Produkt může být používán ve vlhkém prostředí, ale nesmí být používán v mokřém prostředí nebo venku. Produkt bude fungovat v okolních teplotách od -20°C do 40°C, ale bude fungovat na optimální úrovni mezi 20°C a 30°C. Produkt bude pracovat v 20% - 90% vlhkosti, bez kondenzace.

3.7 Předpisy

Tento výrobek je CE & UKCA certifikován v souladu s testovacími normami směrnice LVD a EMC.

4. BEZPEČNOSTNÍ DOPORUČENÍ A UPOZORNĚNÍ

Varování! Před použitím nebo prací s výrobkem si pozorně přečtěte níže uvedená varování!

- Při instalaci nebo používání LED svítidla vždy dodržujte místní pravidla a předpisy.
- Neotevírejte ani nerozebírejte LED svítidlo, protože uvnitř nejsou žádné opravitelné díly. Otevření nebo úprava svítidla LED může být nebezpečná a ruší platnost záruky.
- Nepoužívejte LED svítidlo, pokud je LED svítidlo nebo jeho napájecí kabel poškozený. Nahradte napájecí kabel pouze kabelem se správným jmenovitým výkonem.
- Úpravy kabelů mohou vést k nežádoucím elektromagnetickým účinkům, které mohou způsobit, že produkt nebude v souladu s právními požadavky.
- Nevystavujte svítidlo LED:

- Déconnectez toujours la lampe LED de l'alimentation avant d'effectuer quelque maintenance.
- Laissez toujours refroidir la lampe LED pendant une période d'au moins 20-30 minutes avant de toucher les barres lumineuses LED. Toucher les barres lumineuses lorsque celles-ci sont chaudes peut engendrer de sévères brûlures !
- La convection naturelle retire la chaleur du dissipateur. Afin que le système puisse bien se refroidir de façon autonome, un espace de 5cm minimum est requis entre la lampe et le toit de votre zone de culture.
- N'utilisez pas de matériaux abrasifs ou de produits de nettoyage agressifs pour nettoyer la lampe LED car cela pourrait endommager les optiques secondaires. Utilisez un chiffon/tissu propre et sec à la place.
- N'utilisez pas la lampe LED proche de substances inflammables, explosives ou réactives. Cette lampe LED peut atteindre une température de 40°C.
- N'utilisez pas de vaporisateurs de sulfure ou de brumisateurs.
- L'installation et l'utilisation de la lampe LED est la responsabilité de l'utilisateur final. L'utilisation ou l'installation incorrecte de cette lampe LED peut engendrer sa défaillance ou son endommagement. L'endommagement de la lampe LED et du circuit électronique résultant d'une installation et/ou d'une utilisation incorrecte du produit révoquera sa garantie.

5. OBSAH

1x MANUÁL

2x KOVOVÉ VEŠÁKY
NA KABELY

1x ŘÍDICÍ JEDNOTKA
STMÍVÁNÍ 0 -10V

Připojuje se k řídicímu
kabelu stmívání na ovladači.

1x LED ŘIDIČ

"Obsahuje napájecí výstup a zásuvkové
konektory stmívání a napájecí konektor vstupního konektoru

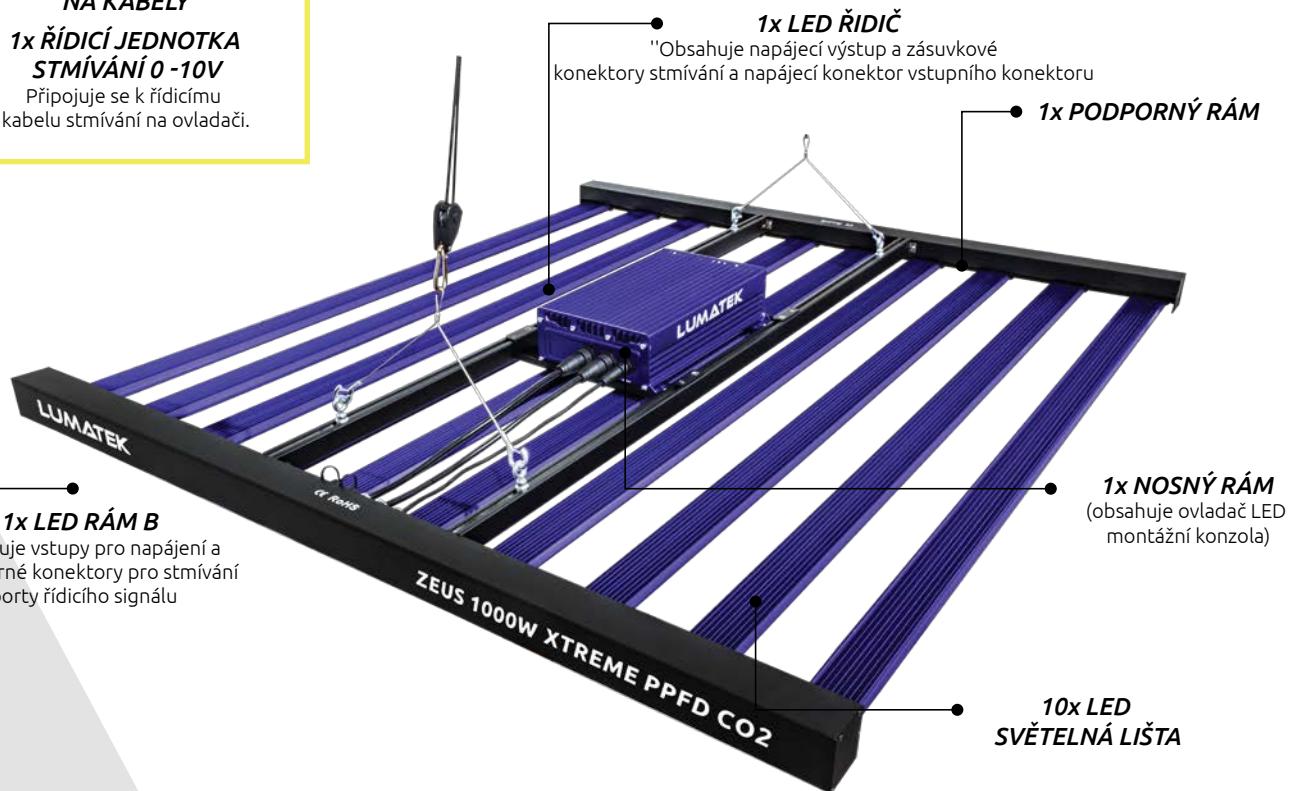
1x PODPORNÝ RÁM

1x LED RÁM B

"Obsahuje vstupy pro napájení a
samosvorné konektory pro stmívání
a porty řídicího signálu

1x NOSNÝ RÁM
(obsahuje ovladač LED
montážní konzola)

10x LED
SVĚTELNÁ LIŠTA



6. INSTALACE

Varování! Montáž a instalace LED svíidla musí být v souladu s platnými místními zákony a předpisy.

Varování! Za správnou a bezpečnou instalaci odpovídá instalační technik.

Varování! Zajistěte, aby místní kabeláž mohla podporovat požadavky na napětí a proud pro LED svíidla.

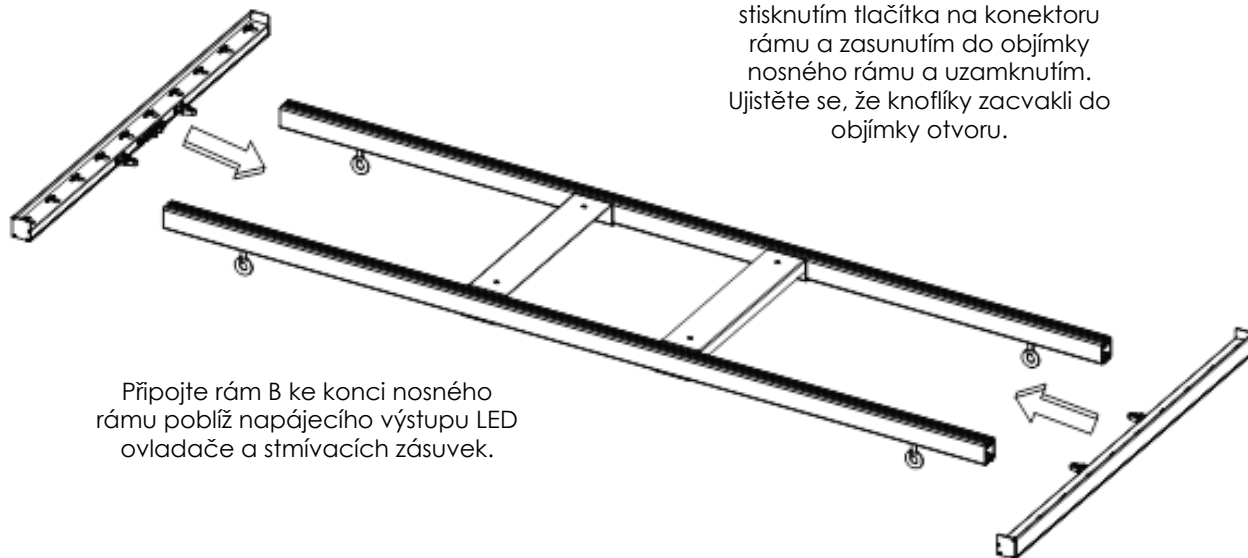
Varování! Vyvarujte se stočeným kabelům a udržujte je odděleně od síťových kabelů, abyste zabránili elektromagnetickému rušení.

Varování! Nepřipojujte ani neodpojujte LED zařízení při zatížení.

6.1 Montáž a instalace svítidel

Při montáži přípravku buďte opatrní a ujistěte se, že jsou všechna připojení správná a bezpečná

6.1.1 Sestavte rám

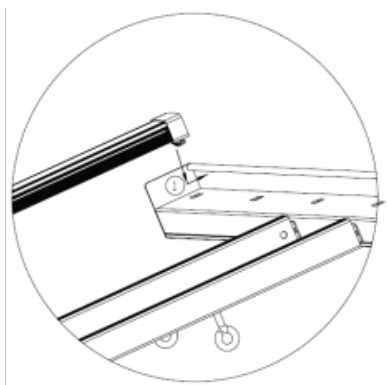


Připojte rám A a B k nosnému rámu stisknutím tlačítka na konektoru rámu a zasunutím do objímky nosného rámu a uzamknutím. Ujistěte se, že knoflíky zacvakli do objímky otvoru.

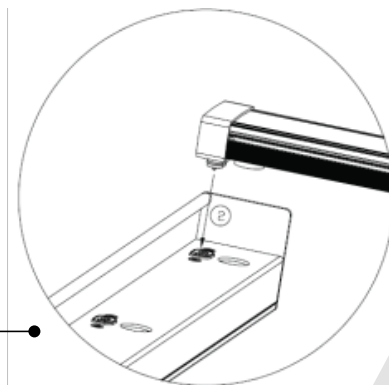
Připojte rám B ke konci nosného rámu poblíž napájecího výstupu LED ovladače a stmívacích zásuvek.

Při instalaci berte v potaz směr; když je zařízení zavěšeno, je montážní držák LED nahoře.

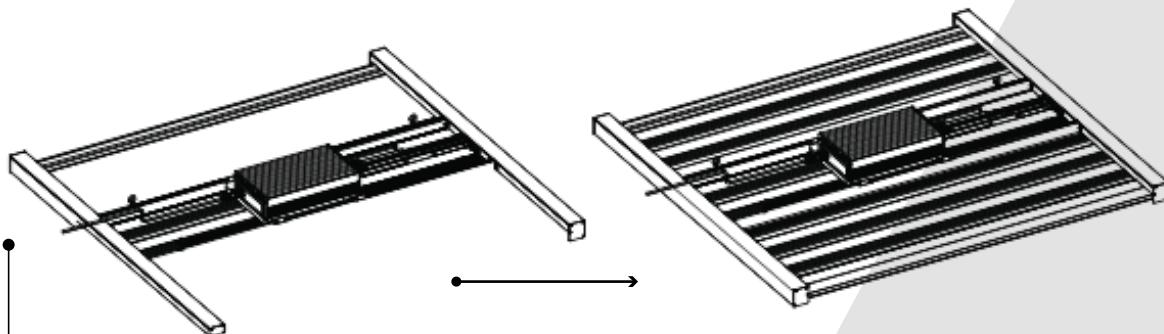
6.2 Připojte světelné lišty LED



Ujistěte se, že je řidič zajištěn, a otočte přípravek tak, aby byl řidič nyní pod ním. Vložte konec světelné tyče s hákem do čtverce otvor v rámu A



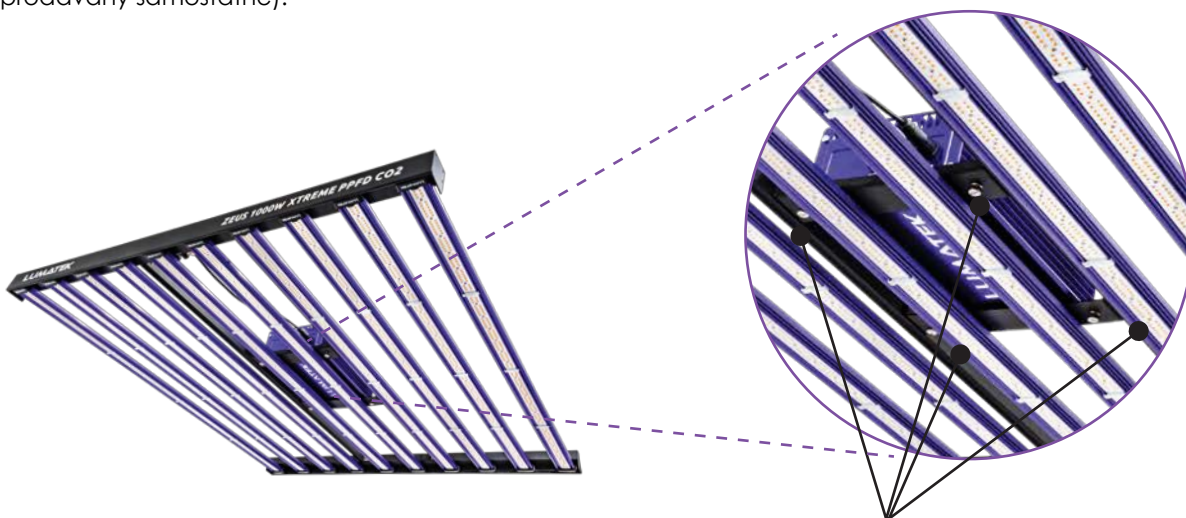
Poté vložte druhý konec; zarovnejte kulatý otvor na rámu B s magnetickým koncem světelné lišty a zasuňte kolík do zásuvky. Ujistěte se, že magnetické připojení je bezpečné.



Sestavte zbytek světelných lišt do rámečku svítidla, jak je znázorněno na obrázku výše.

6.3 Připojte a odpojte ovladač

LED ovladač je připevněn k montážní konzole čtyřmi přídržnými šrouby skrz konzolu do základní desky. Pro větší flexibilitu lze ovladač od svítidla odpojit a použít jej dálkově díky prodlužovacím kabelům pro LED - Lumatek 5m (prodávány samostatně).



Upevňovací šrouby pro uchycení LED ovladače

Pro připojení výstupu ovladače a stmívání k zařízení se ujistěte, že napájecí a stmívací samosvorné konektory jsou správně zarovnané s odpovídajícími zásuvkami na ovladači a zatlačte je k sobě až dokud nezaklapnou. Pro odpojení otočte zástrčky proti směru hodinových ručiček až do odemknutí a potáhnutím od zásuvky.

6.4 Výměna světelných lišt a modulární použití

Modulární design LED svítidla využívá inteligentní LED ovladač, který může automaticky snižovat nebo zvyšovat výkon tak, aby odpovídal množství 100W v závislosti na počtu instalovaných světelných lišt. Pokud nejsou vyžadovány všechny světelné lišty, ovladač bude čerpat pouze energii potřebnou pro množství připojených světelných lišt, např. pokud je připojeno šest světelných lišt, bude k jejich napájení čerpat pouze 600 W.

Varování! Před zapnutím musí být v svítidle nainstalována alespoň jedna světelná lišta.

6.5 Instalace svítidla

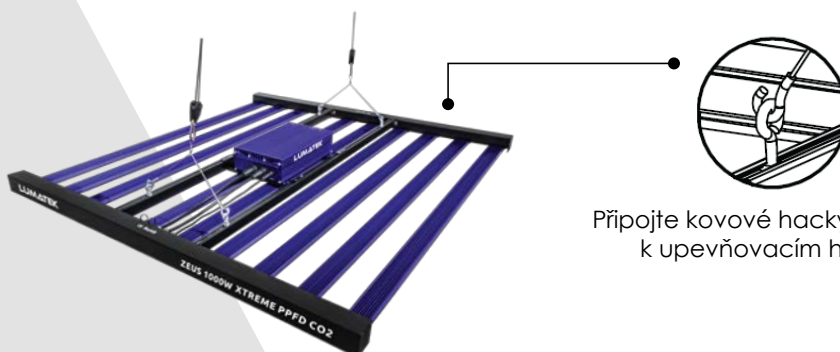
Varování! Připojte systém k něčemu, co unese hmotnost LED svítidla.

Ujistěte se, že všechny světelné lišty jsou nainstalovány správně a jsou zabezpečené. Opatrně otočte svítidlo a připevněte kovové háčky k upevňovacím háčkům. Zavěste svítidlo v požadované poloze a výšce. Pro optimální výkon; umístěte svítidlo 50cm – 1m nad vrchol rostliny. Ujistěte se, že je světlo zavěšeno vodorovně.

Pro kratší výšky zavěšení (50 cm) od vršku rostlin a 1,5m² stopy se doporučuje doplňkový oxid uhličitý (CO₂), aby rostliny mohly fotosyntetizovat velmi vysokou hladinu PPFD produkovanou v této výšce.

Pro PPFD nad 1000μmol / s / m² až do max. 1500μmol / s / m² se doporučuje doplňovat CO₂ v poměru 1:1. tj. při 1500μmol / s / m² PPFD doplňujte CO₂ při 1500 str./min.

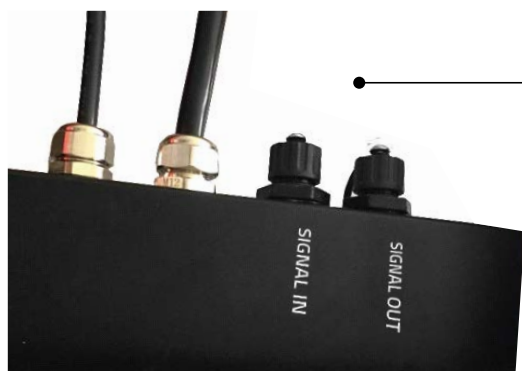
Varování! Vystavování plodin ultravysokému PPFD bez doplňování CO₂ může být pro růst rostlin škodlivé.



Připojte kovové háčky na kabely k upevňovacím háčkům

6.6 Připojení ručního stmívače nebo externího ovladače osvětlení

Ovládání stmívače nebo ovladače osvětlení je připojeno ke konektoru Signal IN na zařízení To umožňuje upravit intenzitu světla (PPF výstup) podle požadavku. Intenzita světla LED svítidla může být nastavena bez změny spektrálního rozložení energie nebo ztráty účinnosti s použitím ručního ovládání stmívače.



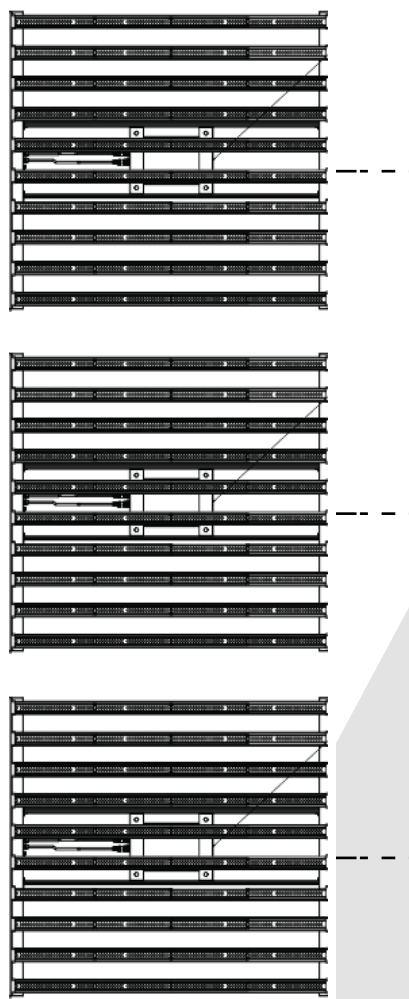
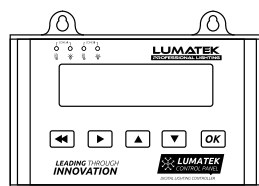
Připojte kabel ručního stmívače nebo kabel ovladače osvětlení k portu SIGNAL IN.

6.7 Propojení světel do série pro externí ovládání

Podrobné pokyny naleznete v příručce k ovládacímu panelu Lumatek.

Každé zařízení umístěte a vhodně zavěste. Přístroje řady Zeus používají pro řízení signálový protokol 0-10V.

Připojte výstupní signální vodič řídicí jednotky k konektoru 1 SIGNAL IN pro připojení. Připojte signální vodič z konektoru SIGNAL OUT 1 k konektoru 2 SIGNAL IN. Pokračujte v připojování svítidel v sérii až pro 100 svítidel na ovladač, viz obr.



6.8 Připojení LED svítidla do sítě

Varování! Ujistěte se, že je napájení vypnuto.

Varování! Ujistěte se, že napájecí kabel není stočený a nedotýká se žádných horkých povrchů.

Varování! Připojte kabely podle místních předpisů, bezpečnostních předpisů a kódexu elektrikářů.

Varování! V případě, že nepoužíváte externí ovladač osvětlení se ujistěte, že externí spínací zařízení dokáže zvládnout zapínací proud LED zařízení. Vždy používejte stykač časovače vhodný pro spínání kapacitní zátěže. K přepínání LED zařízení nikdy nepoužívejte časovače pro domácnost!

Varování! Nepřipojujte ani neodpojujte LED zařízení při zatížení.

Ujistěte se, že samosvorný samičí konektor kabelu napájecího zdroje LED je správně zarovnan s odpovídajícím samčím konektorem na ovladači a jsou zatlačeny k sobě, dokud nezaklapnou.

Pro odpojení otočte samičí konektor proti směru hodinových ručiček, čím jej odemknete a potáhněte od řidiče.

Připojte zástrčku ke spínacímu ústrojí/napájecímu zdroji.

Zapněte síťové napájení.

7. OPATŘENÍ PŘI POUŽÍVÁNÍ LED SVÍTIDLA

Varování! Před zapnutím vždy zkontrolujte, zda je k svítidlu připojena alespoň jedna světelná lišta. Zeus Pro má inteligentní LED ovladač, který zvýší nebo sníží příkop tak, aby odpovídal množství připojených světelných lišt.

Varování! Vždy počkejte 20 - 30 minut, než LED světelné lišty vychladnou.

8. INSPEKCE, ÚDRŽBA A OPRAVY

Varování! Před prováděním jakékoli údržby nebo oprav odpojte LED svítidlo ze sítě.

Varování! Nepřipojujte ani neodpojujte LED svítidlo při zatížení.

Varování! Neotevírejte ani nerozebírejte LED svítidlo, uvnitř nejsou žádné opravitelné díly. Otevření LED svítidla může být nebezpečné a bude mít za následek ztrátu záruky.

Varování! Vždy počkejte 20 - 30 minut, než LED světelné lišty vychladnou.

Pozor! LED svítidlo nečistěte čisticími prostředky, abrazivy nebo jinými agresivními látkami.

Pravidelně kontrolujte, zda se v LED zařízení nehromadí prach nebo nečistoty. V případě potřeby jej vyčistěte. Kontaminace může způsobit přehřátí a snížení výkonu.

Vnější část LED svítidla čistěte suchým nebo vlhkým hadříkem.

Pravidelně kontrolujte kabely LED svítidla, zda nejsou poškozené.

9. SKLADOVÁNÍ A LIKVIDACE

LED svítidlo skladujte v suchém a čistém prostředí s okolní teplotou od -25°C do 55°C.

Produkt nesmí být zlikvidován jako netříděný komunální odpad, ale musí být separován za účelem zpracování, využití a ekologické likvidace.

10. ZÁRUKA

Lumatek Ltd zaručuje po dobu pěti (5) let od původního data nákupu, že mechanické a elektronické součásti jejich produktu jsou bez vad materiálu a zpracování, pokud jsou používány za normálních provozních podmínek. Pokud produkt vykazuje v této lhůtě nějaké závady a tato závada není způsobena chybou uživatele nebo nesprávným používáním, společnost Lumatek Ltd dle svého uvážení výrobek vymění nebo opraví za použití vhodných nových nebo repasovaných produktů nebo jejich částí. V případě, že se společnost Lumatek Ltd rozhodne vyměnit celý produkt, vztahuje se tato omezená záruka na náhradní produkt po zbývající počáteční záruční období, tj. na pěti (5) let roky od data zakoupení původního produktu. Pro servis vraťte produkt do svého obchodu s originálním potvrzením o prodeji.



ZEUS 1000W XTREME PPFD CO2

STAY UP TO DATE WITH OUR **SOCIAL MEDIA** CHANNELS



GENERAL : info@lumatek-lighting.com
SALES SUPPORT : orders@lumatek-lighting.com
TECHNICAL SUPPORT : techsupport@lumatek-lighting.com
CONTACT : +44(0)1233 280567

VISIT US AT **WWW.LUMATEK-LIGHTING.COM**