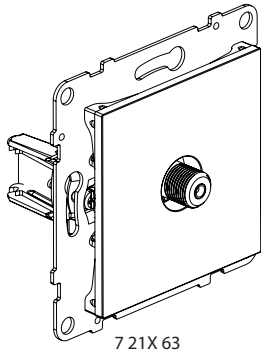
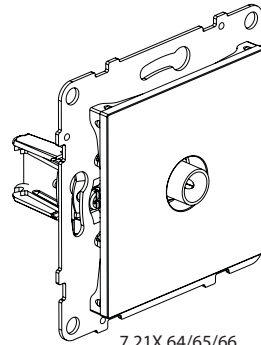


**Suno™**  
**TV Star sockets**

**Cat. No(s): 7 21X 63, 7 21X 64**  
**7 21X 65, 7 21X 66**



7 21X 63



7 21X 64/65/66

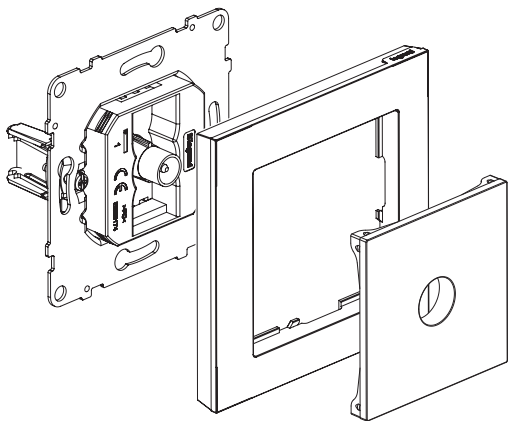
**1. USE**

Male TV socket Ø 9,52 mm  
 UHD (ultra high definition) compatible  
 Class A shielding - Star wiring  
 Recommended cable 17/19 VATC.  
 Fixing with screw and/or claw.

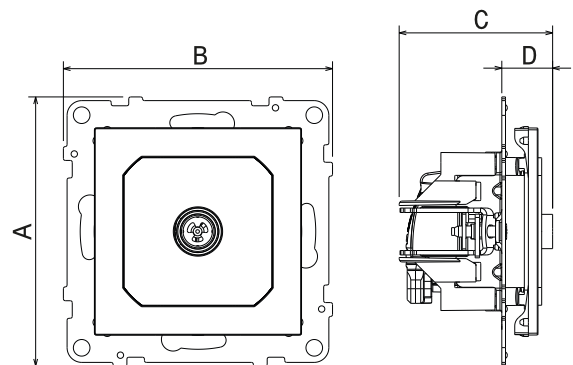
**2. RANGE**

Description	White	Ivory	Aluminum	Black
TV F-TYPE STAR	7 211 63	7 212 63	7 213 63	7 214 63
TV MALE STAR	7 211 64	7 212 64	7 213 64	7 214 64
TV MALE PASSTHROUGH 14 db	7 211 65	7 212 65	7 213 65	7 214 65
TV MALE TERMINAL 10dB	7 211 66	7 212 66	7 213 66	7 214 66

**3. DISMANTLING**

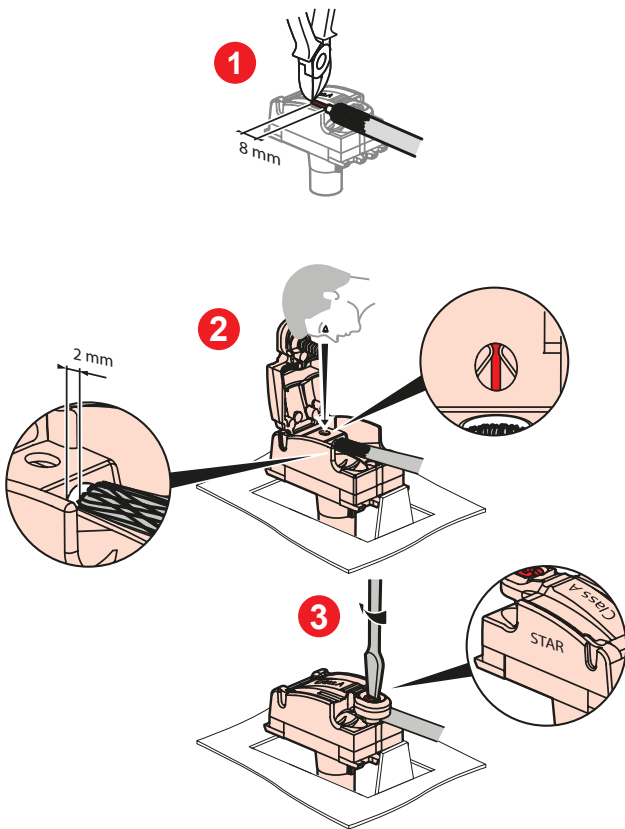


**4. DIMENSIONS (mm)**

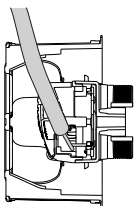
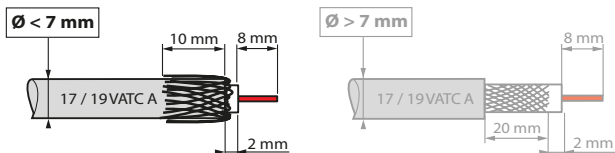


References	A	B	C	D
7 21X 63	72,9	72,9	44,1	16,3
7 21X 64/65/66	72,9	72,9	42,6	12,8

## 5. CONNECTION



## 6. WIRING PRECAUTIONS



By restricting deformation of the coaxial cable, the rear connection avoids impedance discontinuity, thereby sustaining performance

## 7. TECHNICAL CHARACTERISTICS

### 7.1 Mechanical characteristics

Protection against solid bodies and liquids: IP20

Protection against impact: IK04

Cable resistance: 120 N

### 7.2 Material characteristics

Polygloss appearance

Colour molded:

- White RAL 9003
- Ivory RAL 1013

Matt colour painted:

- Aluminum RAL 9023
- Black RAL 9017

Material: - Cover: ABS  
- Base: Polycarbonate  
- Halogen-free  
- UV-resistant

Motor: - Casing: zamac  
- Cover: zamac  
- Pin: bronze  
1- screw: galvanized steel

Self-extinguishing:

850°C/30 s for insulating components holding live parts in place

650°C/30 s for other insulating components

### 7.3 Electrical characteristics

- Impedance : 75 ohm
- Male connector  $\varnothing$  9.52 mm
- Class A shielding efficiency (class A shielding is necessary to prevent interference caused by using 3 and 4 G phone signals, as these unwanted signals can result in pixellation on screen or adversely affect the sound track).
- Frequency bands: TV: 5-68/120-862 MHz
- Low attenuation: < 1 dB maximum
- Compatible with remote power supply

### 7.4 Climate characteristics

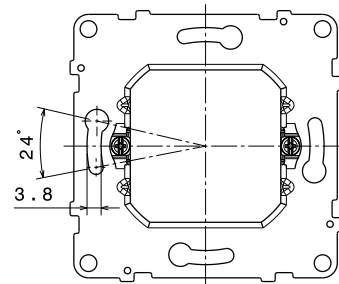
Usage temperature: - 5°C to + 35°C

Storage temperature: - 10°C to + 70°C

### 7.5 Support

Material of support: -Metal

Angular adjusting:



## 8. MAINTENANCE

Surface cleaning with a cloth.

Do not use: acetone, tar remover, trichloroethylene.

Maintenance with the following products: Hexane (EN 60669-1), Methylated spirit, Soapy water, Diluted ammonia, Bleach diluted to 10%, Window-cleaning products.

**Caution:** Always test before using other special cleaning products.

## 9. STANDARDS AND APPROVALS

Compliant with installation and manufacturing standards.

Refer to e-catalogue.

10. STANDARDS AND APPROVALS

Single male TV socket

