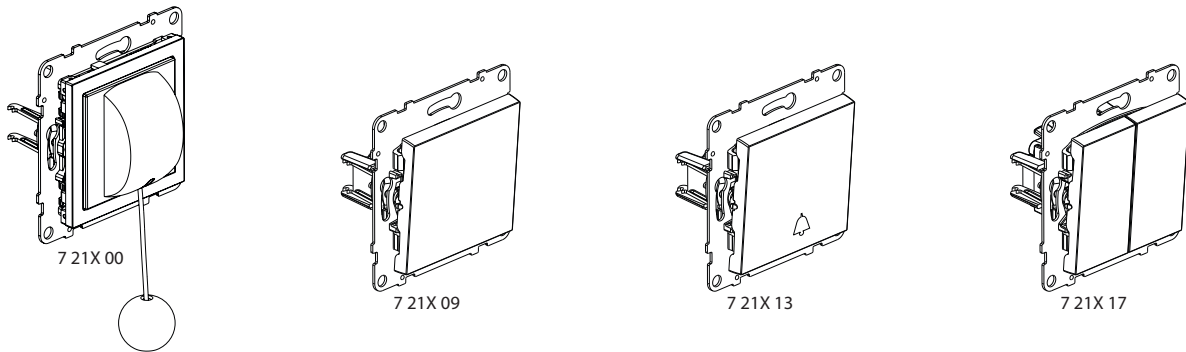


**Suno™**  
**Push buttons 6 A**

**Cat. No(s): 7 21X 00, 7 21X 09**  
**7 21X 13, 7 21X 17,**



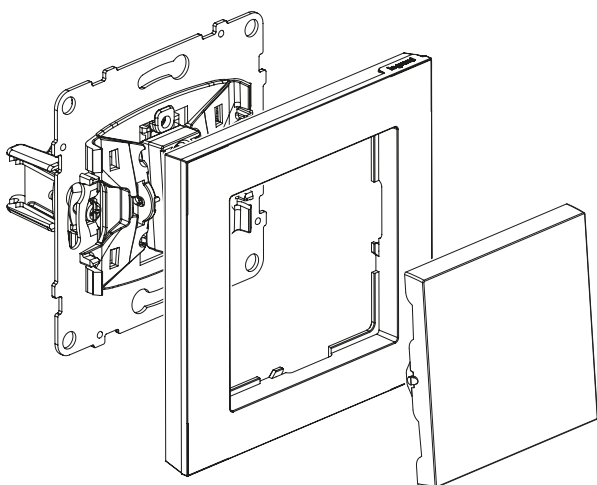
**1. USE**

Lighting controls mechanism 6 A.  
 Flush-mounting or surface-mounting.  
 Screw and/or claw fixing.

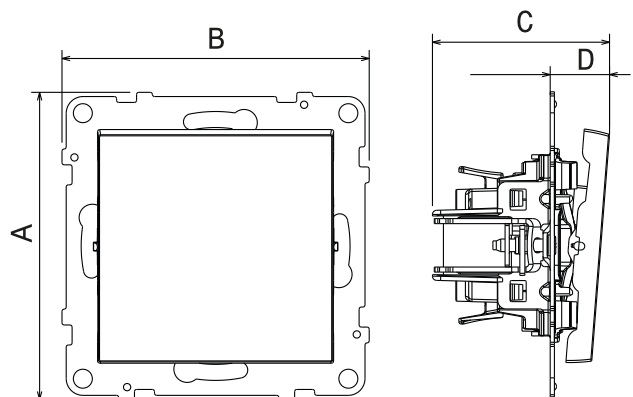
**2. RANGE**

Description	White	Ivory	Aluminium	Black
PULL-CORD CHANGEOVER PUSH-BUTTON	7 211 00	7 212 00	7 213 00	7 214 00
1-WAY PUSH-BUTTON	7 211 09	7 212 09	7 213 09	7 214 09
1-WAY PUSH-BUTTON WITH BELL SYMBOL	7 211 13	7 212 13	7 213 13	7 214 13
2-GANG 1-WAY PUSH-BUTTON	7 211 17	7 212 17	7 213 17	7 214 17

**3. DISMANTLING**



**4. DIMENSIONS (mm)**



References	A	B	C	D
7 21X 00	72,9	72,9	53	25,7
7 21X 09 7 21X 13 7 21X 17	72,9	72,9	40,6	12,7

## 5. CONNECTION

Flexible or rigid cables compatible.

TYPE OF TERMINALS:

Auto terminal

TERMINAL CAPACITY:

2 x 2.5mm<sup>2</sup>/terminal

STRIPPING LENGTH:

13mm

## 6. TECHNICAL CHARACTERISTICS

### ■ 6.1 Mechanical characteristics

Protection against solid bodies and liquids: IP 20

Protection against impact: IK 04

### ■ 6.2 Material characteristics

Polygloss appearance

Colour molded:

- White RAL 9003

- Ivory RAL 1013

Matt colour painted:

- Aluminum RAL 9023

- Black RAL 9017

Material:

- Rocker ABS

- Base: Polycarbonate

- Halogen-free

- UV resistant

Self-extinguishing:

850°C/30 s for insulating components holding live parts in place

650°C/30 s for other insulating components

### ■ 6.3 Electrical characteristics

Voltage: 250 V~

Current: 6 A

Frequency: 50/60 Hz

Max. power for self-ballasted lamps: 100 W

### ■ 6.4 Climate characteristics

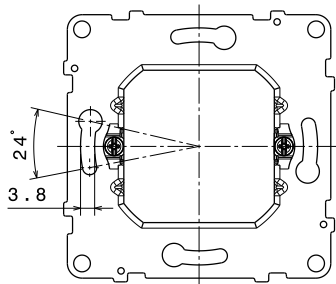
Usage temperature: - 5°C to + 35°C

Storage temperature: - 10°C to + 70°C

### ■ 6.5 Support

Material of support: -Metal

Angular adjusting:

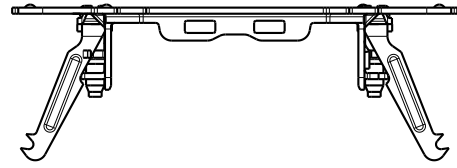


### ■ 6.6 Fixing with claws

Number of turns to open the claws:

- 58 mm > 2,1 turns

- 65 mm > 2,75 turns



## 7. MAINTENANCE

Surface cleaning with a cloth.

Do not use:

Acetone, tar remover, trichloroethylene.

Maintenance with the following products:

Hexane (EN 60669-1), Methylated spirit, Soapy water, Diluted ammonia, Bleach diluted to 10%, Window-cleaning products.

**Caution:** Always test before using other special cleaning products.

## 8. STANDARDS AND APPROVALS

Compliant with installation and manufacturing standards.

Refer to e. catalogue.