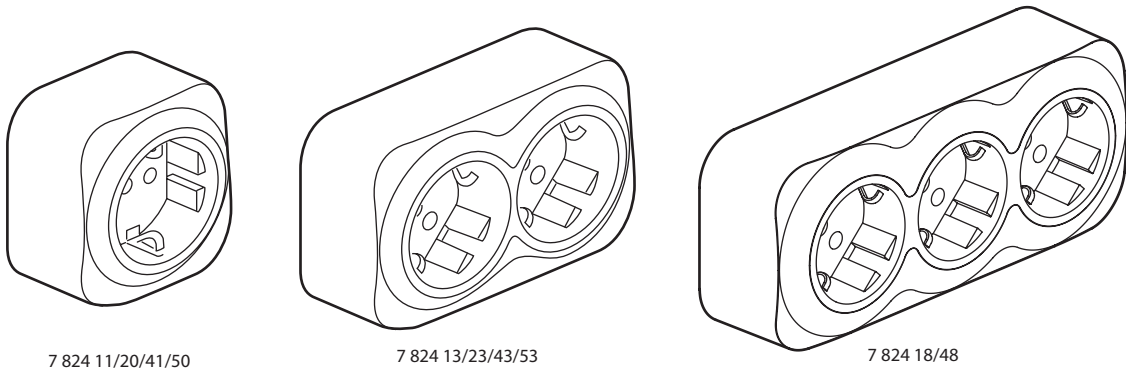


**Forix™ IP 2X**  
**2 P+E German socket**

Cat. No.(s): 7 824 11/13/18/20/23/41/43/48/50/53



7 824 11/20/41/50

7 824 13/23/43/53

7 824 18/48

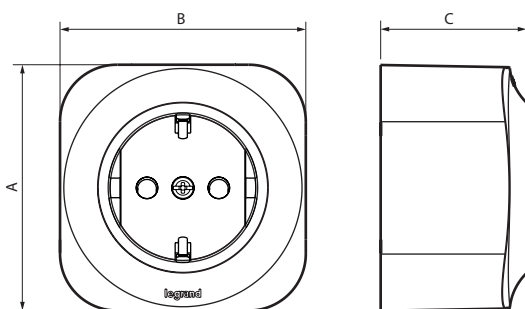
**1. USE**

General 16 A german socket outlet.  
 Horizontal or vertical mounting for sockets multiple.

**2. RANGE**

Finishes		Designation
White	Ivory	
7 824 11	7 824 41	2 P+E socket without shutters
7 824 13	7 824 43	2 x 2 P+E socket without shutters
7 824 20	7 824 50	2 P+E socket with shutters
7 824 23	7 824 53	2 x 2 P+E socket with shutters
7 824 18	7 824 48	3 x 2 P+E socket with shutters

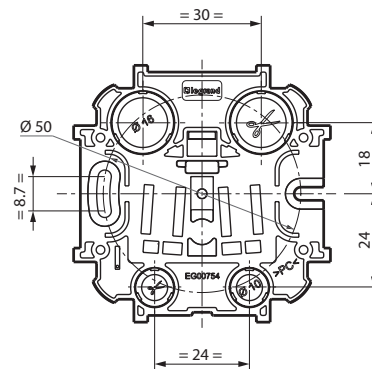
**3. OVERALL DIMENSIONS (mm)**



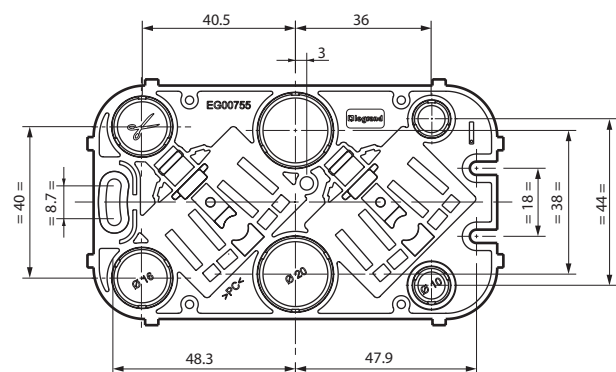
Cat. No.	A	B	C
7 824 11/20/41/50	65	65	38.5
7 824 13/23/43/53	65	110	38.5
7 824 18/48	65	155	38.5

**3. OVERALL DIMENSIONS (continued)**

■ 3.1 Single base

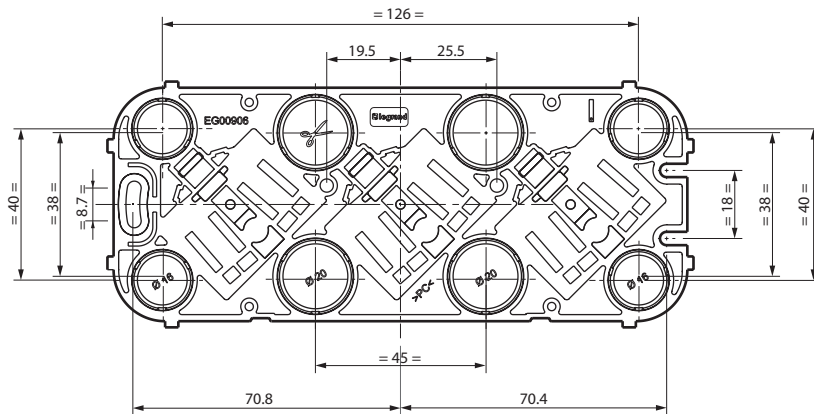


■ 3.2 Double base



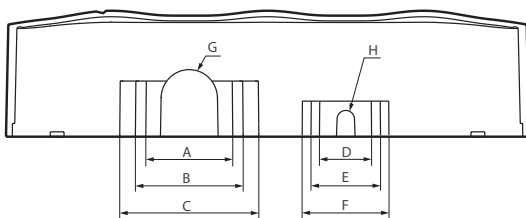
**3. OVERALL DIMENSIONS** (continued)

■ **3.3 Triple base**



**4. CONNECTION**

Information for pre-cut:



Cat. No.	Pre-cut sides (mm)			
	A	B	C	D
7 824 11/20 7 824 41/50	25 x 16	31 x 16	40 x 16	15 x 10
	2	-	-	2
7 824 13/23 7 824 43/53	20 x 10	25 x 10	Ø 16	Ø 5
	2	-	2	2
7 824 18/48	25 x 16	31 x 16	40 x 16	15 x 10
	-	4	4	1
7 824 18/48	20 x 10	25 x 10	Ø 16	Ø 5
	2	-	2	4

Stripping: 11 mm  
 Terminal type: with screws  
 Terminal capacity up to: 2 x 2.5 mm<sup>2</sup>  
 Recommended screwdriver size: pozidrive No 2  
 Recommended tightening torque: 0.8 Nm

**5. TECHNICAL CHARACTERISTICS**

■ **5.1 Mechanical characteristics**

Protection against liquids:  
 - For Cat. Nos 7 824 11/13/41/43: IP 20  
 - For Cat. Nos 7 824 18/20/23/48/50/53: IP 21  
 Impact tests: IK 04

■ **5.2 Material characteristics**

Cover: PP  
 Cover for Cat. No 7 824 18/48: PC  
 Mechanism: PC

■ **5.3 Electrical characteristics**

Voltage: 250 VAC  
 Current: 16 A

■ **5.4 Climatic characteristics**

Storage and use temperature: - 25° C to + 60° C

**6. CLEANING**

Surface cleaning with a cloth.  
 Do not use: acetone, tar remover, trichloroethylene.

Resistance to the following agents: Hexane (EN 60669-1), Methylated spirits, Soapy water, Diluted ammonia, Diluted pure bleached 10%, Glass cleaning substance, Pre-impregnated wipes.

**Caution:** A preliminary test should be carried out if other specific cleaning products are to be used.