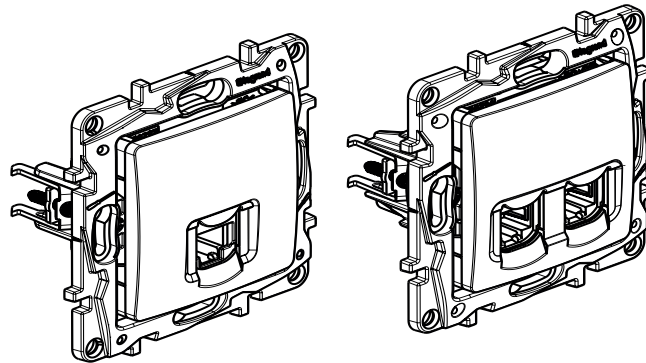


Niloe™
RJ socket

Catalogue numbers: **7 645 69/70/71 - 7 646 69/70/71**
7 647 69



1. USE

RJ 45 sockets:
 - RJ 45 Cat. 5 - 8 UTP contacts: telephone, IT.
 - RJ 11 - 4 contacts: telephone
 Mechanisms to be fitted with finishing plates.
 Flush or surface-mounting.
 Claw or screw fixing.

2. RANGE

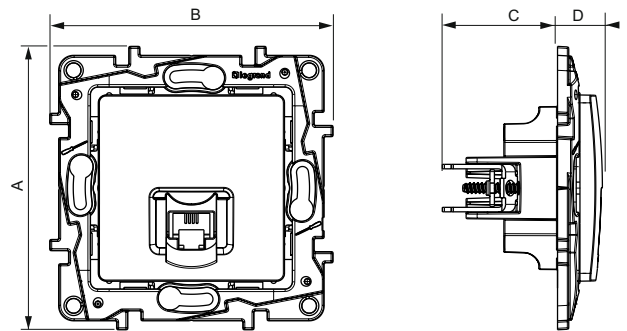
RJ11 SOCKETS

Description	White	Ivory	Brown
RJ11 socket	7 645 69	7 646 69	7 647 69
RJ11 + RJ45 Cat 5e UTP socket	7 645 70	7 646 70	

RJ45 SOCKETS

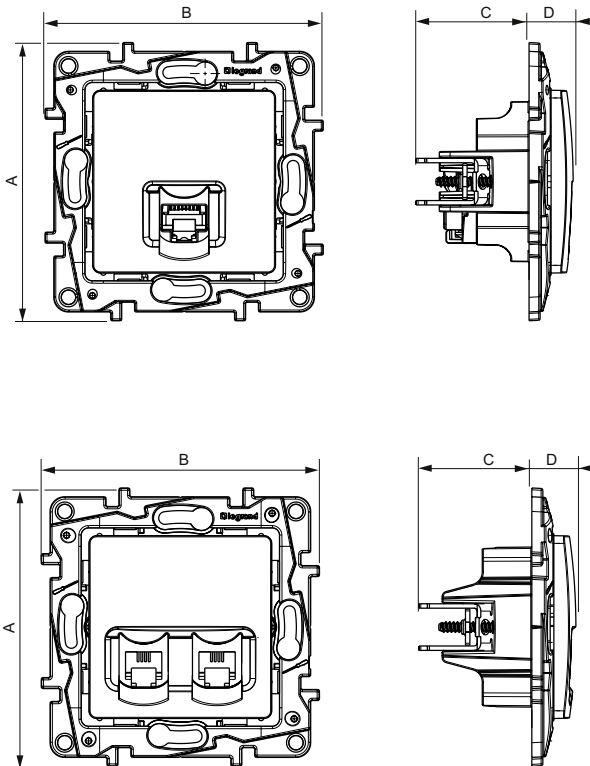
Description	White	Ivory	Brown
RJ45 Cat 5e UTP socket	7 645 71	7 646 71	

3. DIMENSIONS (mm)



Catalogue numbers		A	B	C	D
RJ 11	7 64X 69	75.8	75.8	30.8	12

3. DIMENSIONS (mm) (continued)



Catalogue numbers		A	B	C	D
RJ45 Cat 5e UTP	7 64X 71	75.8	75.8	30.8	12
RJ11 + RJ45 Cat 5e UTP	7 64X 70				

4. TECHNICAL CHARACTERISTICS

■ **4.1 Mechanical characteristics**

Protection against solid bodies and liquids: IP 20
 Protection against impacts: IK 04

■ **4.2 Material characteristics**

Poly gloss appearance
 Colour: White, Aluminium, Grey, Ivory
 Material:

- Plate: ABS
- Socket cover plate: Polycarbonate
- Halogen-free
- UV resistant

Self-extinguishing:

- +850°C/30 sec for insulating parts holding live parts in place.
- + 650°C/30 sec for other parts made of insulating materials.

■ **4.3 Climate characteristics**

Storage and operating temperature: -5°C to +35°C

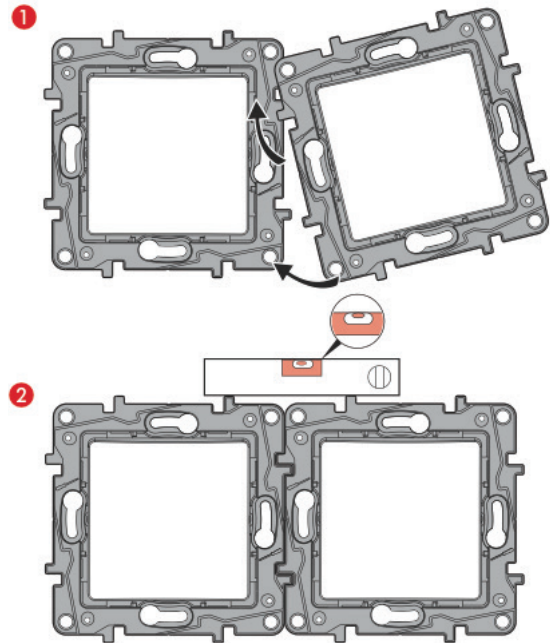
4. TECHNICAL CHARACTERISTICS (continued)

■ **4.4 Support characteristics**

Material: RAL 737 grey halogen-free polycarbonate
 High impact resistance and torsional strength due to the thickness of the support.

Easy guidance for positioning the mechanisms.

Horizontal or vertical alignment without lifting up the mechanisms too much.



5. CARE

Clean the surface with a cloth.

Do not use: acetone, tar-removing cleaning agents or trichloroethylene.

Warning: Always test before using other special cleaning products.

6. STANDARDS AND APPROVALS

RJ45: Meets standards: ISO 11801 Edition 2
 CENELEC EN 50173-1 2007
 ANSI/TIA 568 C.2
 ISO/IEC series 60603-7