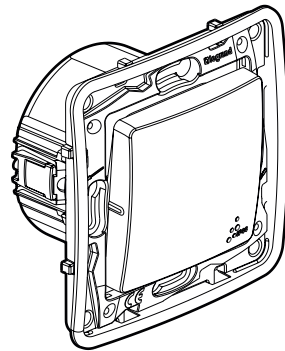


Two-way switch and push button IP 44



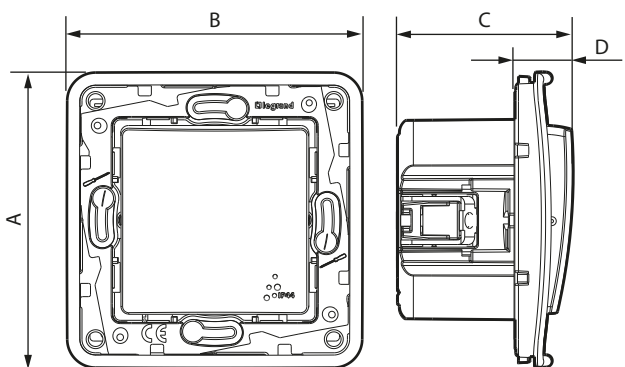
1. USE

Lighting controls mechanisms.
Supplied with protection cover.
Flush or surface mounting.
Screw or screw and claw mounting with claws.
To be fitted with one-gang or multi-gang plates.

2. RANGE

Description	White	Ivory
Two-way switch 10 AX	7 645 24	7 646 24
NO-NC push-button 6 A	7 645 25	7 646 25

3. DIMENSIONS (mm)



A	B	C	D
78.5	78.5	47	15.5

4. CONNECTION

Type of terminals: automatic
Terminal capacity: 2 x 2.5 mm²
Stripping length: 13 mm
Compatible with flexible or rigid cables.

5. TECHNICAL CHARACTERISTICS

■ 5.1 Mechanical characteristics

Protection against solid bodies and liquids: IP 44
Protection against mechanical impact: IK 04

■ 5.2 Material characteristics

Polyglass appearance
Colours: - White RAL 9003 - Ivory RAL 1013
Material: - Box of the mechanism: PC
- Rocker: ABS
- Halogen free
- UV resistant
- Claws: steel
- Protection cover: SEBS

Material of the support : - PC grey RAL 7037
- Halogen free

Self-extinguishing:
+ 850° C / 30 s for insulating parts holding live parts in place.
+ 650° C / 30 s for other parts made of insulating materials.

■ 5.3 Electrical characteristics

Voltage: 250 V~
Current: - Two-way switch: 10 AX
- Push-button: 6 A
Frequency: 50/60 Hz

■ 5.4 Climatic characteristics

Storage temperature: - 10° C to + 70° C
Use temperature: - 5° C to + 35° C

6. CLEANING

Surface cleaning with a cloth.
Do not use: acetone, tar remover, trichloroethylene.

Maintenance with the following products:
Hexane (EN 60669-1), Methylated spirit, Soapy water, Diluted ammonia, Bleach diluted to 10%, Window-cleaning products.

Caution: A preliminary test should be carried out if other specific cleaning products are to be used.

7. STANDARDS AND APPROVALS

Compliant with installation and manufacturing standards.
See e.catalogue.