

Use

Key fob switch to switch ON lights and devices in hotel rooms.

Connection

Terminal type: screw clamp
Terminal capacity: 2 x 2,5 mm²
Stripping length: 8 mm
Compatible with flexible or rigid cables

Range

Designation	Item
Key fob switch	<input type="checkbox"/> RW4549 <input checked="" type="checkbox"/> RG4549

Color code:

White colour Black colour

Technical characteristics

- Protection index

(considering a complete installation, including cover plate)
Penetration by solid bodies/liquid: IP20D

- Mechanical characteristics

Impact test: IK 04

- Material characteristics

Material:
Case and Key cover: PC (Polycarbonate)
Halogen free.
UV resistant.

Self-extinguishing:

850° C / 30 s for insulating parts holding live parts in place
650° C / 30 s for other parts made of insulating materials

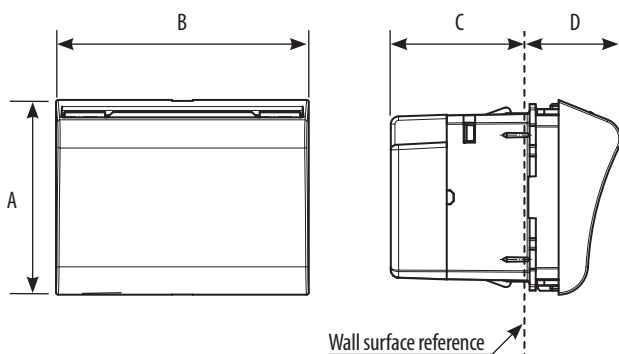
- Electrical characteristics

Voltage: 230 VAC
Current: 30VA

- Climatic characteristics

Storage temperature: - 10° C to + 70° C
Use temperature: - 5° C to + 35° C

Overall dimensions (mm)



	A	B	C	D
..4549	47	61	32.2	23.3

Cleaning

Clean the surface with a cloth.
Do not use acetone, tar-removing cleaning agents or trichloroethylene.
Caution: Always test before using special cleaning products.

Standards and approvals

Compliance with standards IEC/EN 60669-1-2
Refer to e.catalogue.