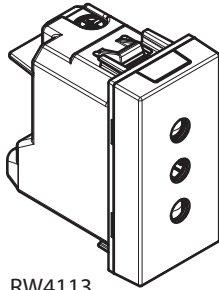


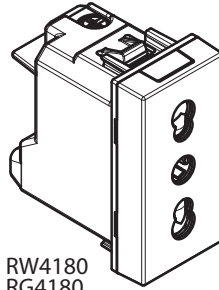
Classia

Socket outlet - Italian standard

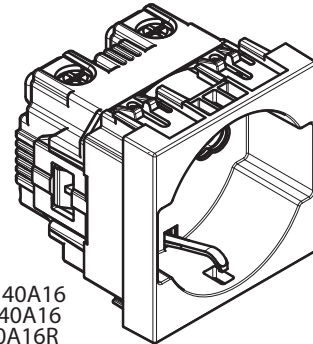
RW4113 - RG4113
RW4180 - RG4180 - R4180R
RW4140A16 - RG4140A16 - R4140A16R



RW4113
RG4113



RW4180
RG4180
R4180R



RW4140A16
RG4140A16
R4140A16R

Use

Socket outlets for: Italian standard, Italian and German standard plugs.

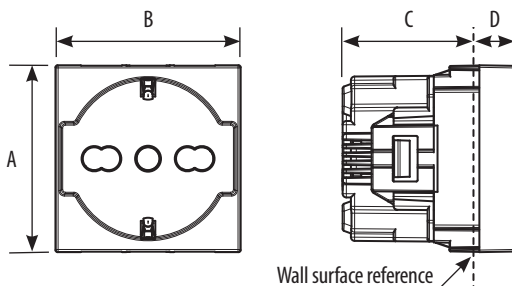
Range

Designation	Item
2P+E 16 A 250 Va.c. socket - center distance 19 mm and 26 mm - shielded tulip contacts - for plugs 2 P and 2 P+E 10 and 16 A Italian standard	<input type="checkbox"/> RW4180 <input checked="" type="checkbox"/> RG4180 <input checked="" type="checkbox"/> R4180R
Socket 2P+E 10A 250 Va.c. -type earth side contacts - shielded socket contacts	<input type="checkbox"/> RW4113 <input checked="" type="checkbox"/> RG4113
Socket 2P+E 10A and 16A 250 Va.c. 19 mm and 26 mm center distance, 2-center socket configuration protected socket contacts; earth side contacts for German standard plugs; suitable for Italian standard plugs 2P and 2P+E 10/16A, German standard plugs 2P+E 16A	<input type="checkbox"/> RW4140A16 <input checked="" type="checkbox"/> RG4140A16 <input checked="" type="checkbox"/> R4140A16R

Color code:

White colour Black colour Red colour

Overall dimensions (mm)



	A	B	C	D
1 module	45.1	22.3	27.7	9.8
2 modules	45.1	44.7	31.7	9.8

Connection

Terminal type: screw clamp
Terminal capacity: 2 x 4 mm² max
Stripping length: 11 mm
Compatible with flexible or rigid cables

Technical characteristics

- Protection index

(considering a complete installation, including cover plate)
Penetration by solid bodies/liquid: IP20D

- Mechanical characteristics

Impact test: IK 04

- Material characteristics

Case and Key cover: PC (Polycarbonate)

Halogen free.

UV resistant.

Self-extinguishing:

850° C / 30 s for insulating parts holding live parts in place
650° C / 30 s for other parts made of insulating materials

- Electrical characteristics

Voltage: 250 VAC

Current: 10 or 16 A

- Climatic characteristics

Storage temperature: - 10° C to + 70° C

Use temperature: - 5° C to + 35° C

Cleaning

Clean the surface with a cloth.

Do not use acetone, tar-removing cleaning agents or trichloroethylene.

Caution: Always test before using special cleaning products.

Standards and approvals

Compliance with standards CEI 23-50
IEC 60884-1

Refer to e.catalogue.