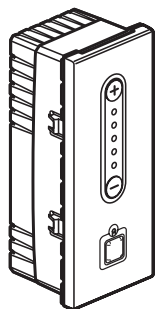


Dimmer switch, 1000 W, all loads Mosaic™

Cat. No(s) : 784 02 / 792 06



784 02 / 792 06

CONTENTS

Page

1. General characteristics	1
2. Range	1
3. Preparation	1
4. Overall dimensions	1
5. Connection	1-2
6. Operation	3
7. Technical characteristics	3
8. Cleaning	3
9. Conformity - Approvals	3

1. GENERAL CHARACTERISTICS

Dimmer switch for controlling lighting devices. Dimmer switch with level memory for switching on with the same light intensity used before switching off or mains cut-off.

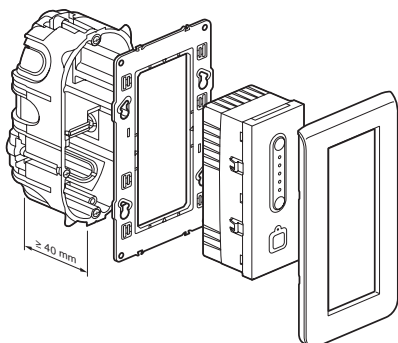
Cat. No.	Use	240 V		100 V	
		Max.	Min.	Max.	Min.
784 02 792 06	Incandescent lamp	1000 W	100 W	500 W	50 W
	230 V halogen lamp	1000 W	100 W	500 W	50 W
	Halogen lamp with ferromagnetic transformer	1000 VA	100 VA	500 VA	50 VA
	Halogen lamp with electronic transformer	1000 VA	100 VA	500 VA	50 VA

2. RANGE

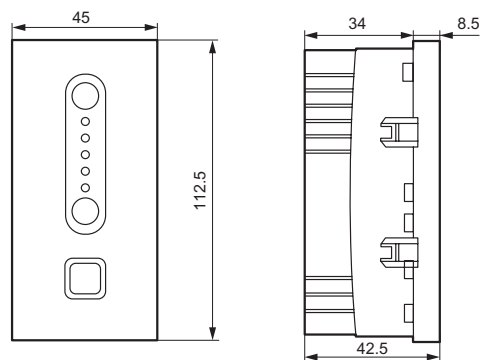
	Designation	Cat. No.	No. of modules	Connection method	Weight (g)
	1000 W remote-control dimmer switch, all loads	784 02	5	Cage-type	146.8
	1000 W remote-control dimmer switch, all loads Aluminium cover plate	792 06	5	Cage-type	146.8

3. PREPARATION

For mounting on Mosaic plates and support frames.
The mechanisms can be flush-mounted or surface-mounted.



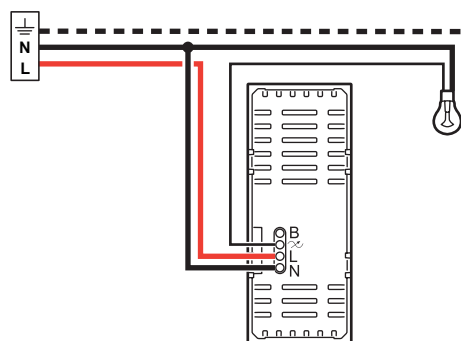
4. OVERALL DIMENSIONS



5. CONNECTION

No. of terminals	4
Terminal type	Cage-type connector
Terminal capacities	2 x 1.5 mm ² or 1 x 2.5 mm ²
Tool	3.5 mm flat-blade screwdriver or Philips No. 1 or posidrive No. 1 or mixed size 0

5.1 Connection of one lighting point in replacement of a switch (factory mode)



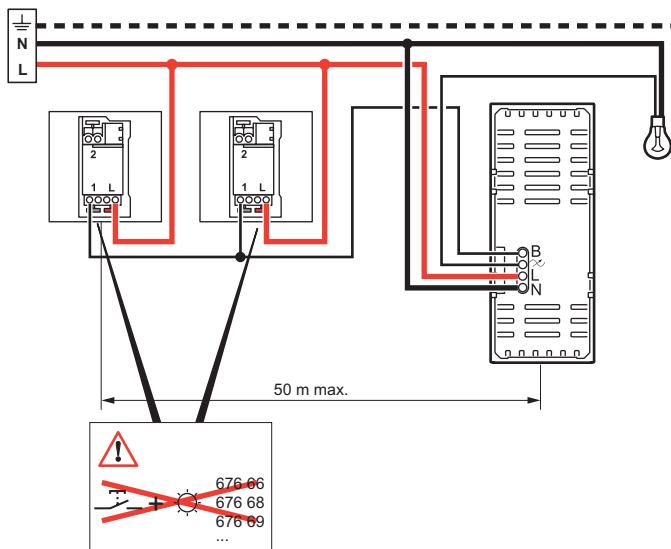
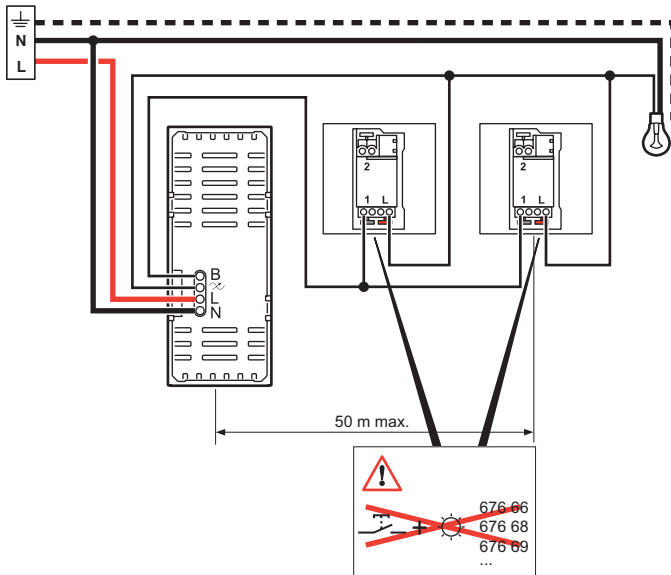
5. CONNECTION (cont'd)

5.2 Connection of several lighting points by combining pushbuttons (factory mode)

(light dimming from all control points)

Use of the pushbutton used with the dimmer switch :

- A short press to switch on / switch off (< 2 s)
- A long press for light dimming (> 2 s)



Important :

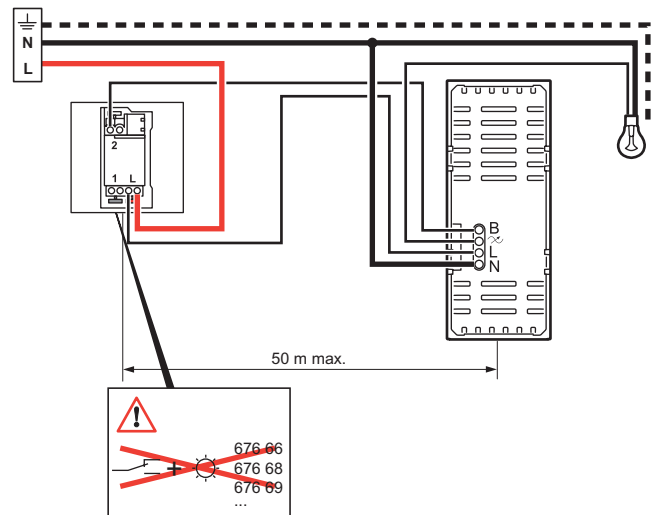
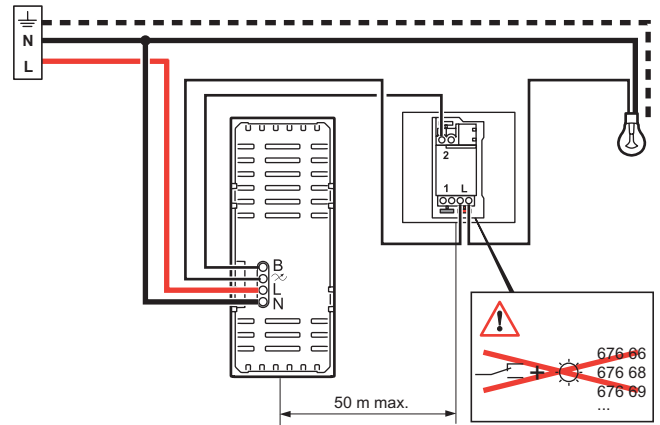
The dimmer switch includes a "remote control switch" function that is incompatible with an installation that already contains remote control switches and pushbuttons.

Remark : the product is supplied with the pushbutton association operating mode.

5. CONNECTION (cont'd)

5.3 Connection of 2 lighting points to a two-way switch (light dimming from a dimmer switch)

For this type of use, the terminals L and 1 of the mechanical switch should be interconnected.

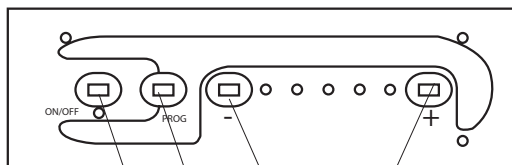


Important :

The dimmer switch can be connected to either the lamp or phase side. Failure to strictly comply with wiring diagrams or failure to stay within the values indicated in the table (voltage, power, temperature, frequency, etc.) can destroy the device.

6. OPERATION

To initialize the various types of use, unclip the rockers, then press the buttons indicated in the table below for 2 seconds :

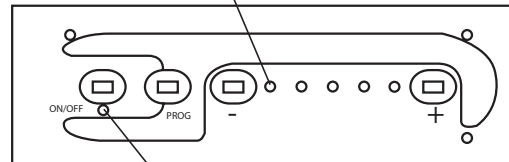


Types of use	ON/OFF	PROG	-	+	Operations
Return to factory mode (load recognition, capacitive mode, pushbutton mounting, level memory)	X 		X	X	
Level memory activation	X			X	
Level memory deactivation	X		X		
Mounting by combining pushbuttons			X	X	
Mounting connected to a two-way switch	X	X			
Forced capacitive mode (no load recognition)	X 	X	X		
Forced inductive mode (no load recognition)	X 	X		X	

NB : auto(matic) inductive mode = steady green LED (●).

6. OPERATION (cont'd)

Remark : The dimmer switch is equipped with a red LED located behind the rockers; this will switch on in the event of an overload, in which case the dimmer will switch off for 60 seconds.



Information on inductive or capacitive operating mode.

7. TECHNICAL CHARACTERISTICS

7.1 Mechanical characteristics

Impact tests : IK 02

Penetration by solid bodies/liquid : IP 20

} No rocker

7.2 Material characteristics

Base + cover : Polycarbonate

Rockers : ABS RAL 9003

7.3 Electrical characteristics

Self-extinguishing : 650°C / 30 s

Voltage : 100 / 240 V ~

Max. consumption : 0.8 W on standby

7 W in load (at 66% of the dimming level)

7.4 Climatic characteristics

Storage temperatures : - 10°C to + 60°C

Operating temperatures : 0°C to + 35°C

8. CLEANING

Surface cleaning with a cloth.

Do not use : acetone, tar remover, trichloroethylene.

8.1 Resistance to cleaning agents

Resistance to the following agents : Hexane (EN 60669-1), Methylated spirits, Soapy water, Diluted ammonia, Diluted pure bleach 10%, Glass cleaning substance, Pre-impregnated wipes.

8.2 Resistance to hospital-type cleaning agents

Resistance to the following agents : Anios, Surfanios, Bactily sine, Diluted hydrogen peroxide (35%).

Caution : A preliminary test should be carried out if other specific cleaning products are to be used.

9. CONFORMITY - APPROVALS

Approvals in process : NF - BBJ - VDE - GOST