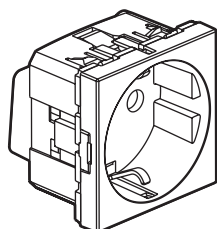
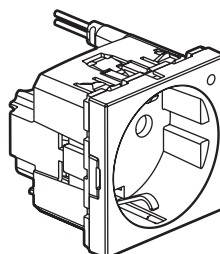


Mosaic™ Socket outlets - German standard

Cat. No(s): 0 772 11/12/13/14/16/17/18/19/20/45
 0 787 02 - 0 792 13 - 0 793 55



0 787 02



0 772 12

1. USE

Multi-support single socket outlets with shutters, German standard. The mechanism can be flush-mounted or surface-mounted. To be equipped with plates.

Antimicrobial* sockets:

These products are made of silver-ion based antimicrobial* material. This technology eliminates bacteria, fungi and viruses without creating any immunisation or resistance effects (physical, rather than chemical, destruction).

Particularly suitable for healthcare establishments (hospitals, clinics, nursing homes, laboratories, waiting rooms, etc.) and more generally for areas subject to hygiene restrictions (industrial, shared and restaurant kitchens, waste, etc.).

These products offer an additional way of ensuring the non-proliferation of bacteria, fungi and viruses without interfering with cleaning protocols.

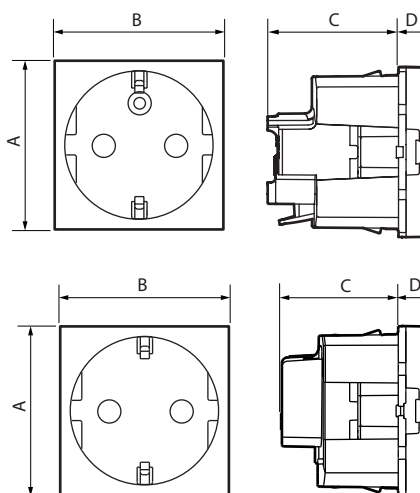
2. RANGE

	Description	References
	2 P+E socket White - 2 modules	0 772 11
	2 P+E socket with indicator White antimicrobial* - 2 modules	0 772 12
	2 P+E socket Green antimicrobial* - 2 modules	0 772 16
	2 P+E socket Orange antimicrobial* - 2 modules	0 772 17
	2 P+E socket Red - 2 modules	0 772 18
	2 P+E socket Flap cover plate White antimicrobial* - 2 modules	0 772 19
	2 P+E socket special 4 mm ² and tapping White - 2 modules	0 772 13
	2 P+E socket special 4 mm ² and tapping Aluminium - 2 modules	0 792 13
	2 P+E socket tamperproof Red - 2 modules	0 772 14

2. RANGE (continued)

	Description	References
	2 P+E socket Red antimicrobial* - 2 modules	0 772 20
	2 P+E socket White antimicrobial* - 2 modules	0 787 02
	2 P+E socket, 45° inclined White - 2 modules	0 772 45
	2 P+E socket, 45° inclined Black - 2 modules	0 793 55

3. OVERALL DIMENSIONS (mm)



References	A	B	C	D
0 772 20 - 0 787 02	45	45	31	8.5
0 772 11/12/16/17/18/19/45 0 793 55	45	45	34.5	8.5
0 772 13 - 0 792 13	45	45	31	8.5
0 772 14	45	45	31.5	8.5

4. CONNECTION

• Cat. Nos 0 772 11/12/16/17/18/19/45 - 0 793 55:

Automatic terminals

Terminal capacity: 2 x 2.5 mm²
 Stripping length: 12 mm

• Cat. Nos 0 772 13/14/20 - 0 787 02 - 0 792 13:

Screw terminals

Terminal capacity: 2 x 4 mm²
 Stripping length: 10 mm
 Screwdriver: flat 4 mm - PZ2

5. TECHNICAL CHARACTERISTICS

■ **5.1 Mechanical characteristics**

- Impact resistance: IK 04
 - Penetration against solid bodies and liquids: IP 20

■ **5.2 Material characteristics**

- Base: Polycarbonate
 - Cover plate: Polycarbonate + antimicrobial* surface treatment for antimicrobial* sockets.
 - Halogen-free
 - UV resistant
 - Self-extinguishing:
 + 850° C / 30 s for insulating parts holding live parts in place
 + 650° C / 30 s for the other insulating part

■ **5.3 Electrical characteristics**

Voltage: 250 V~
 Current: 16 A

■ **5.4 Climatic characteristics**

Storage temperature: - 10°C to + 70°C
 Operating temperature: - 5°C to + 35°C

6. CLEANING

Clean the surface with a cloth.
 Do not use acetone, tar-removing cleaning agents or trichloroethylene.

■ **6.1 Resistance to cleaning products**

Resistant to the following products: hexane (NF C 61-314), methylated spirit, soapy water, diluted ammonia, bleach diluted to 10%, window-cleaning products, pre-impregnated wipes.

■ **6.2 Resistance to hospital grade cleaning products**

Resistant to the following products: Anios, Surfanios, Bactily sine, diluted hydrogen peroxide (35%).

Caution: Always test before using other special cleaning products.

7. ACCESSORIES

0 676 64	Bulb for socket (0 772 12) with indicator White wired bulbs (wire length = 100 mm) (230 V - 2.4 mA)
0 502 99	Temperproof

8. STANDARDS AND APPROVALS

Comply with installation and manufacturing standards.
 See e-catalogue.

7. ACCESSORIES

0 676 64	Bulb for socket (0 772 12) with indicator White wired bulbs (wire length = 100 mm) (230 V - 2.4 mA)
0 502 99	Temperproof

8. STANDARDS AND APPROVALS

Comply with installation and manufacturing standards.
 See e-catalogue.

* Contains a silver compound to antagonize the growth of bacteria on the surface.